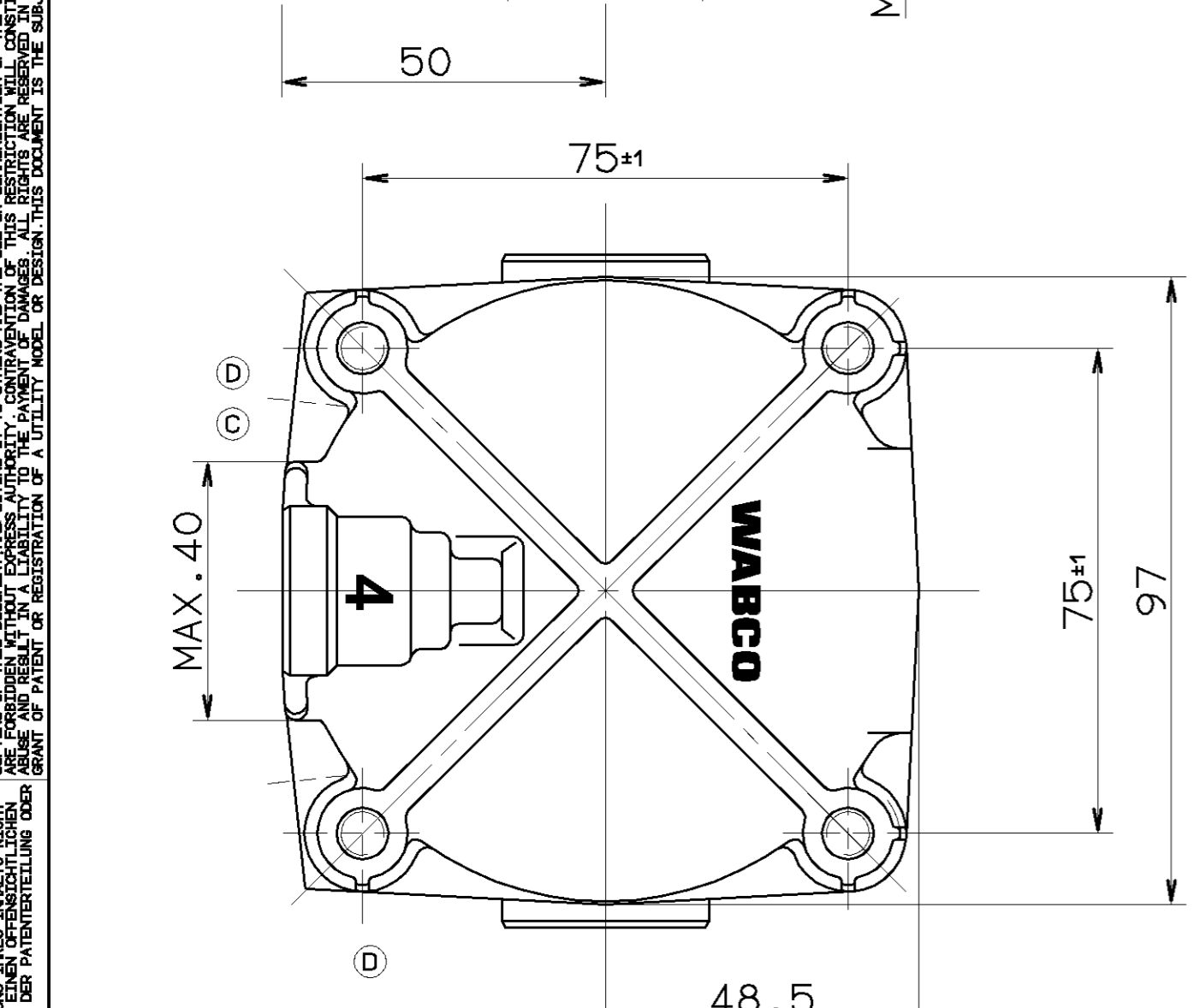
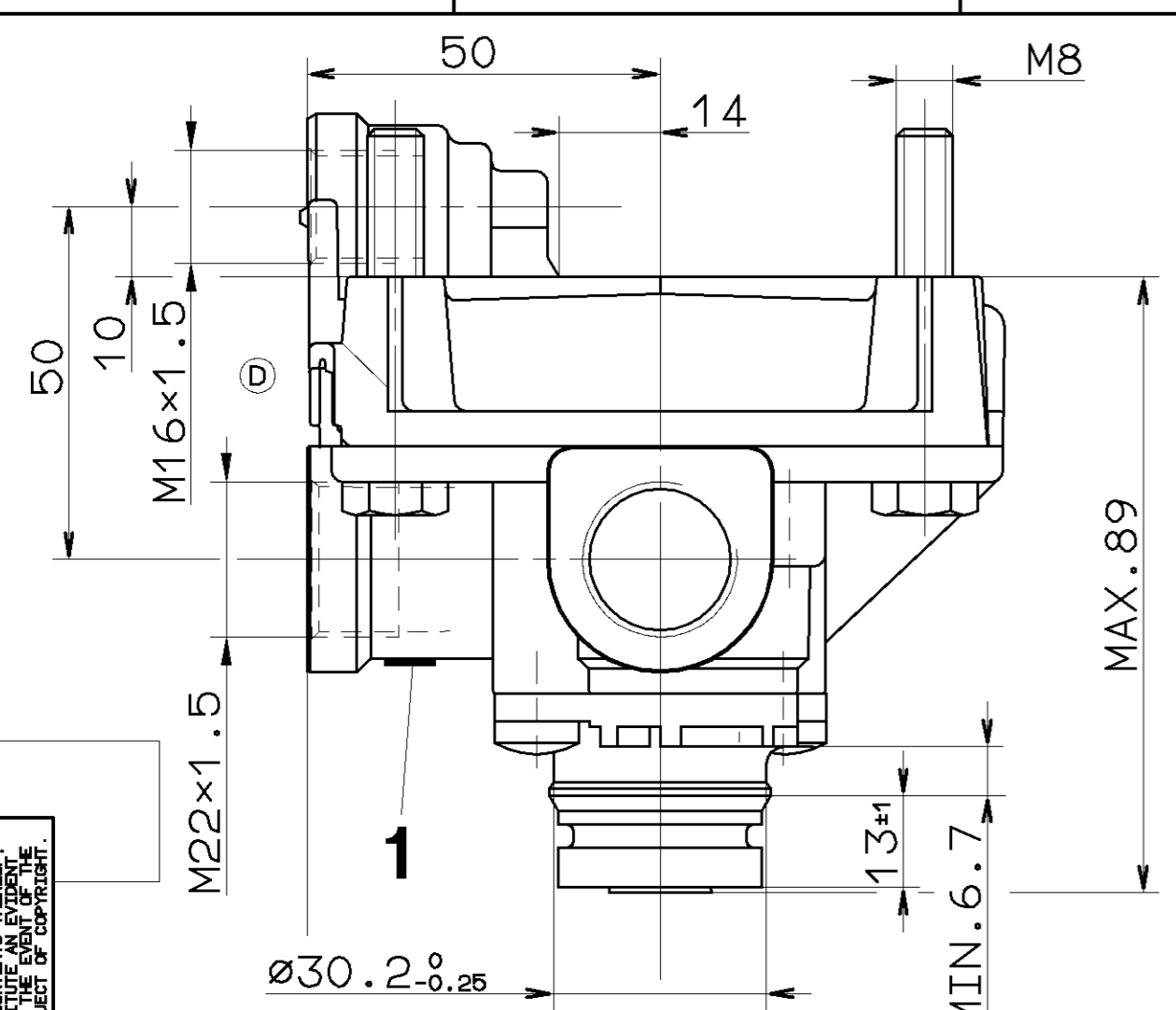
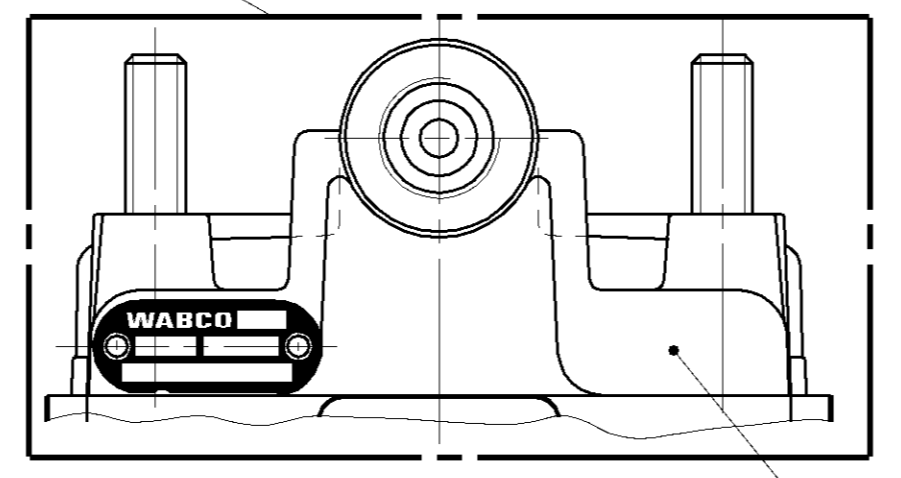
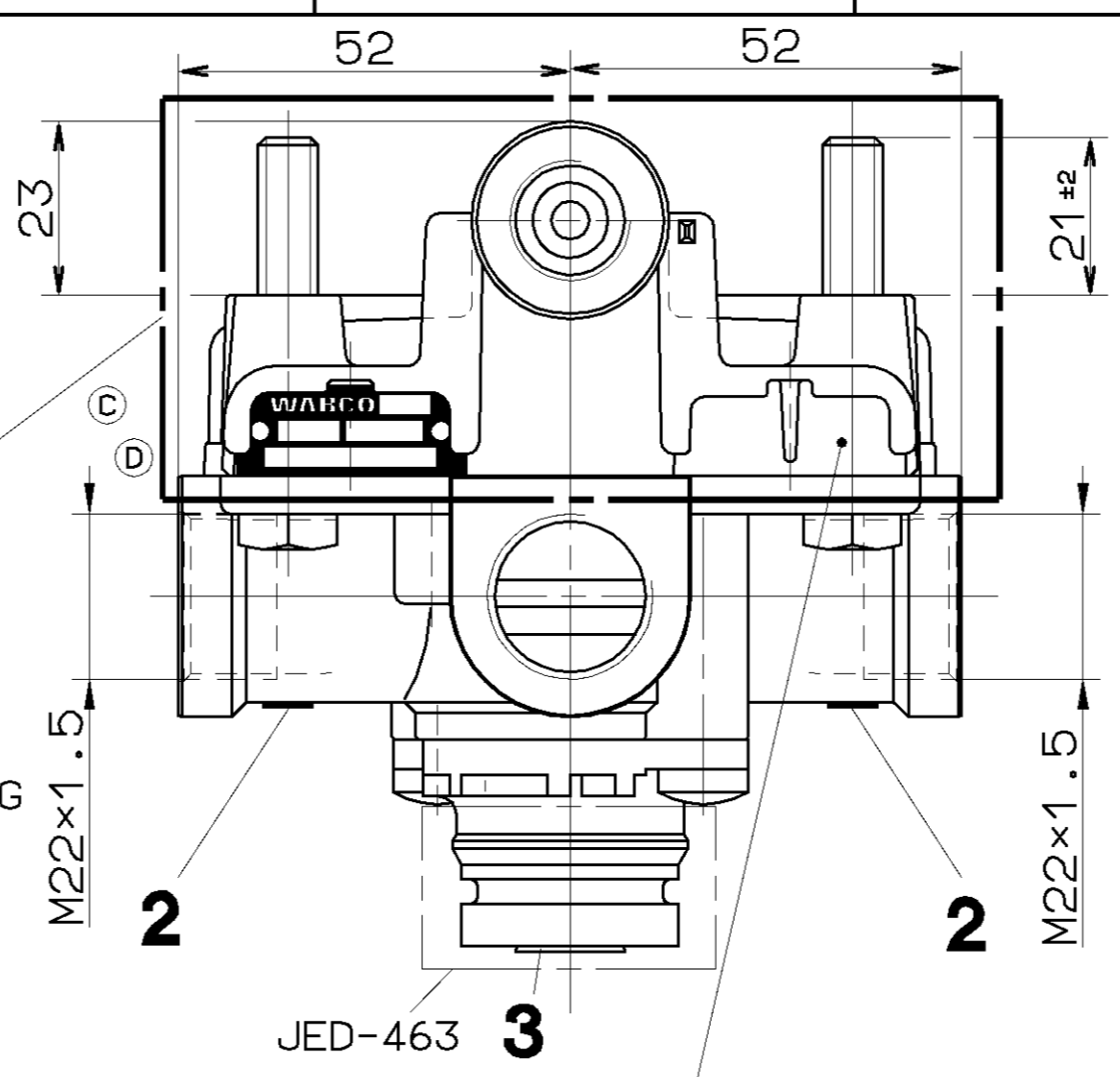


NON È PERMESSO CONSERVARE A TERZI O RIPRODURRE QUESTO DOCUMENTO. NE UTILIZZARE IL CONTENUTO O RES-  
 ARSIO È CONSIDERATO UN ILLECITO. TUTTI I DIRITTI RISERVATI. E' FATTA RISERVA DA TUTTI I DIRITTI RISERVATI DA  
 BREVETTI O MODELLI.  
 COPIES OF THIS DOCUMENT AND ANYTHING THEREIN TO OTHERS AND THE USE OF COMMUNICATION OF THE CONTENTS THEREOF,  
 WITHOUT THE WRITTEN PERMISSION OF WABCO, IS PROHIBITED. ALL RIGHTS ARE RESERVED IN THE EVENT OF THE  
 ABUSE AND RESULTS IN A LIABILITY TO THE PAYMENT OF DAMAGES. ALL RIGHTS ARE RESERVED IN THE EVENT OF THE  
 GRANT OF PATENT OR REGISTRATION OF A UTILITY MODEL OR DESIGN.  
 TOUTE COMMUNICATION OU REPRODUCTION DE CE DOCUMENT, TOUTE EXPLOITATION OU COMMUNICATION DE SON CONTE-  
 NUT EN TROISIEME MAIN, SANS LE CONSENTEMENT DE WABCO, EST INTERDITE. A TOUTS DROITS DE PROPRIETE  
 INDUSTRIELLE RESERVES. NOTAMMENT EN MATIERE DE BREVETS ET DE MODELES.  
 WERTEBEREICH SOWIE VERWENDETE MASSEN, VERMUTLICH UND MITTEILUNG DER INHALTE NICHT  
 MISSBRÄUCHLICH DAR LIND VERPFLICHTET ZU SCHADENSERSATZ. ALLE RECHTE FUER DEN FALL DER PATENTIERUNG ODER  
 GEMÄSSMUSTER-EINTRAGUNG VORBEHALTEN.



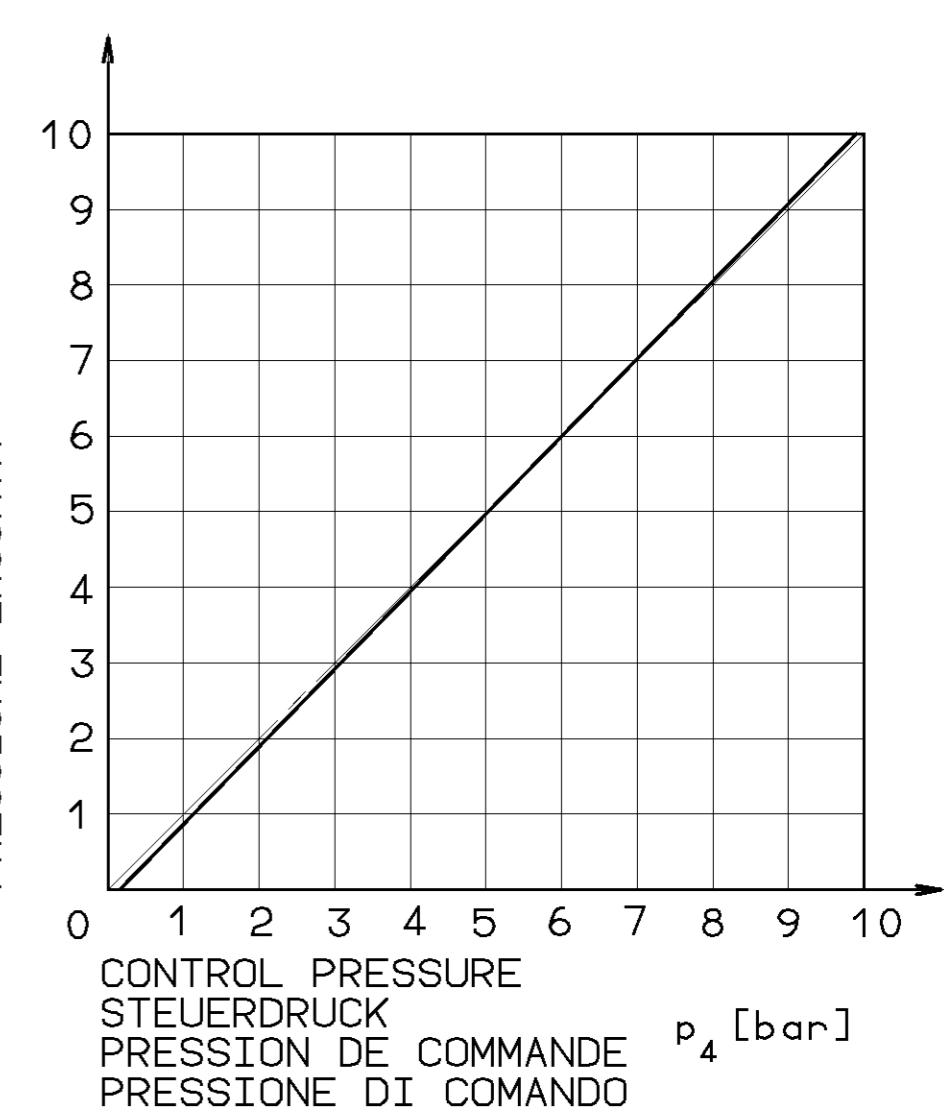
MEDIUM: AIR  
 MEDIUM: LUFT  
 FLUIDE: AIR  
 FLUIDO: ARIA  
  
 WORKING PRESSURE:  
 BETRIEBSDRUCK: MAX. p<sub>e</sub> = 10 bar  
 PRESSION DE SERVICE:  
 PRESSIONE D'ESERCIZIO:  
  
 THERMAL RANGE OF APPLICATION:  
 THERMISCHER ANWENDUNGSBEREICH: -40° ... +80° C  
 GAMME D'APPLICATION THERMIQUE:  
 CAMPO DI APPLICAZIONE TERMICA:  
  
 TORQUE FOR CONNECTIONS:  
 ANZUGSMOMENT FUER EINSCHRAUBSTUTZEN: M16x1.5: M<sub>max.</sub> = 34 Nm  
 COUPLE DE SERRAGE DES RACCORDS: M22x1.5: M<sub>max.</sub> = 53 Nm  
 COPPIA DI SERRAGGIO DEI RACCORDI:

DESIGN PERMISSIBLE  
 AUSFUEHRUNG ZULAESSIG  
 REALISATION ADMISE  
 DISEGNO AMMISSIBILE

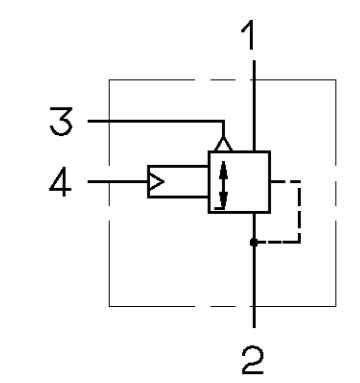


AREA FOR NAME PLATE CUSTOMER  
 BEREICH FUER BEZEICHNUNGSSCHILD KUNDE  
 ZONE POUR PLAQUE DE FIRME CLIENT  
 ZONA PER TARGHETTA CLIENTE  
  
 SUPPLY PRESSURE:  
 VORRATSDRUCK: MAX. p<sub>e</sub> = 13 bar  
 PRESSION D'ALIMENTATION:  
 PRESSIONE DI ALIMENTAZIONE:  
  
 PERMISSIBLE INSTALLATION  
 ZULAESSIGE EINBAULAGE ±90°  
 POSITION D'INSTALLATION ADMISE  
 POSIZIONE DI MONTAGGIO AMMESSA

DELIVERY PRESSURE  
 AUSGESTEUERTER DRUCK p<sub>2</sub> [bar]  
 PRESSION DELIVREE  
 PRESSIONE EROGATA



- 1 SUPPLY  
VORRAT  
ALIMENTATION  
ALIMENTAZIONE
- 2 DELIVERY PRESSURE  
AUSGESTEUERTER DRUCK  
PRESSION DELIVREE  
PRESSIONE EROGATA
- 3 EXHAUST  
ENTLUEFTUNG  
ECHAPPEMENT  
SCARICO
- 4 CONTROL PRESSURE  
STEUERDRUCK  
PRESSION DE COMMANDE  
PRESSIONE DI COMANDO



TEMPORARILY:  
 KURZZEITIG: MAX. p<sub>e</sub> = 13 bar  
 DE COURTE DUREE:  
 BREVE TEMPO SOLO:

GENERAL SPECIFICATION: JED-334		CADAM-DRAWING COPYRIGHT		<b>WABCO</b>	
FURTHER TECHNICAL DATA:		DATE: 89-04-25		SIGNATURE: BRINK/ME	
DOC. CODE: SHEET: TO:		DRAWN: 89-06-02		CHECKED: KIEL/DEIKE	
GENERAL TOLERANCES		STANDARDIZATION: 89-06-05		PANTZER	
RANGE OF NOMINAL DIMENSIONS ( ± mm )		MASS: 0.62 KG		SCALE: 1:1 (2:1)	
CLASS 1)	≤50	>50 ≤180	>180 ≤400	>400	PRODUCT IDENTIFICATION NO.: 973 011 000 0
FINE	0,5	1,0	1,5	2,0	DOC. CODE: 605
MEDIUM X	1,0	2,0	3,0	4,0	SHEET: 1/1
COARSE	2,0	3,5	5,0	6,5	REPLACEMENT FOR:
TAPPED HOLES ACC. ISO 4039 / JED-182		045408		2x A 90-01-29	
1) TOLERANCE CLASS APPLIED CROSSMARKED		DCN-NO. REV. DATE		A 2 140	
		100mm		EXPERT CODE: 744	
				PRODUCT TYPE: 02X	

1899/012/204\_93 605/603