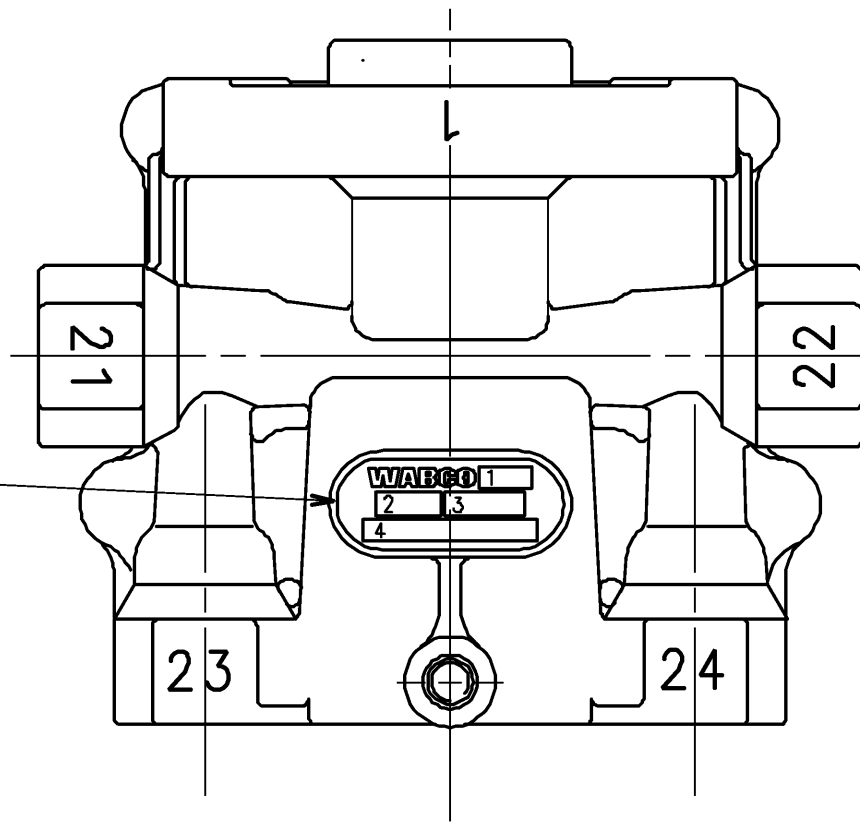
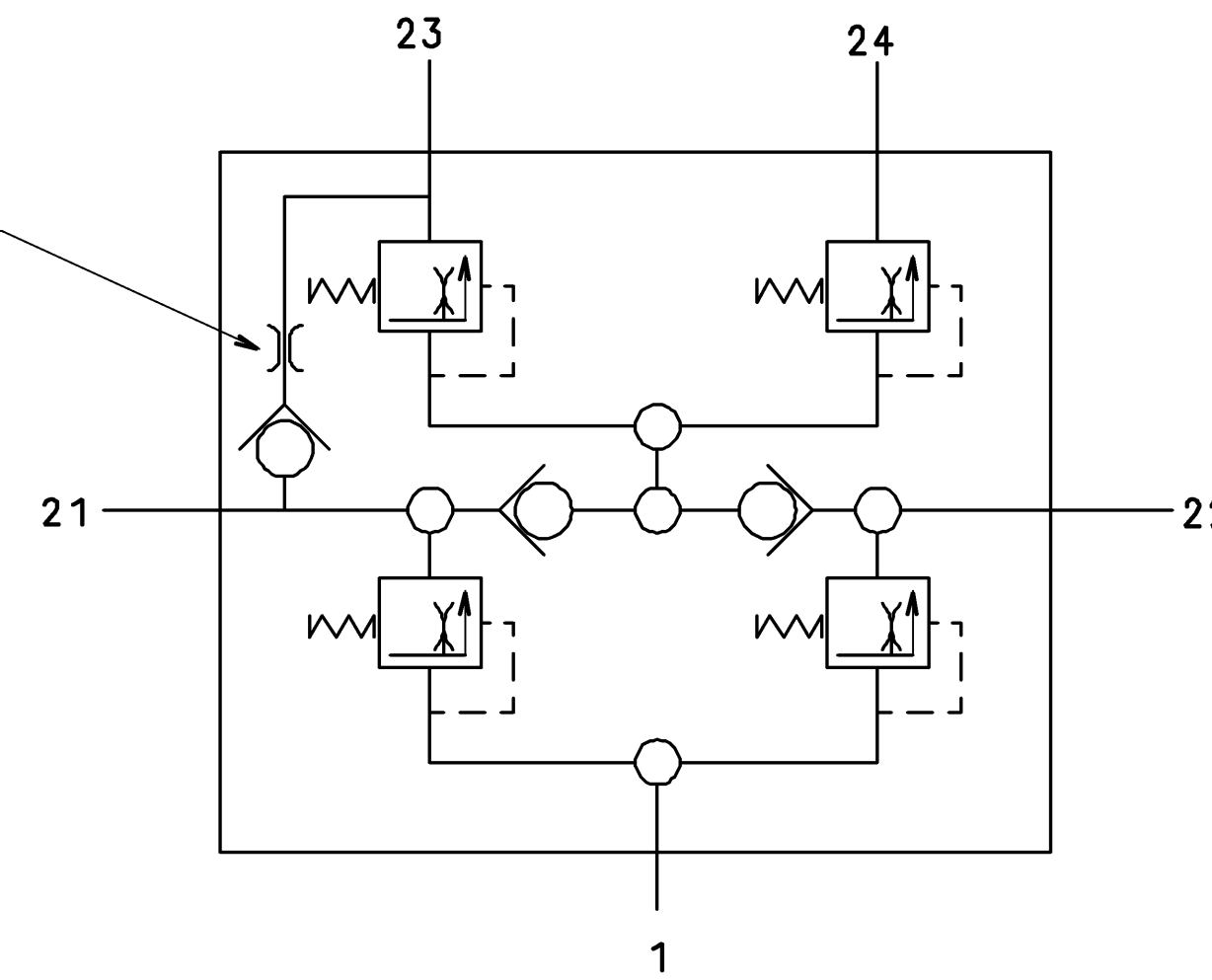


LABEL MARKED WITH :

1. PRODUCTION PLANT
2. DATE OF MANUFACTURE
3. REVISION LEVEL
4. PART NUMBER



$\varnothing 0.8^{+0}_{-0.5}$
MAX FLOW=35 l/min
AT p=8 bar



ADMISSIBLE TEMPERATURES.
THERMISCHER ANWENDUNGSBEREICH.
TEMPERATURE DE SERVICE -40°C TO +90°C
TEMPERATURA D'ESERCIZIO.

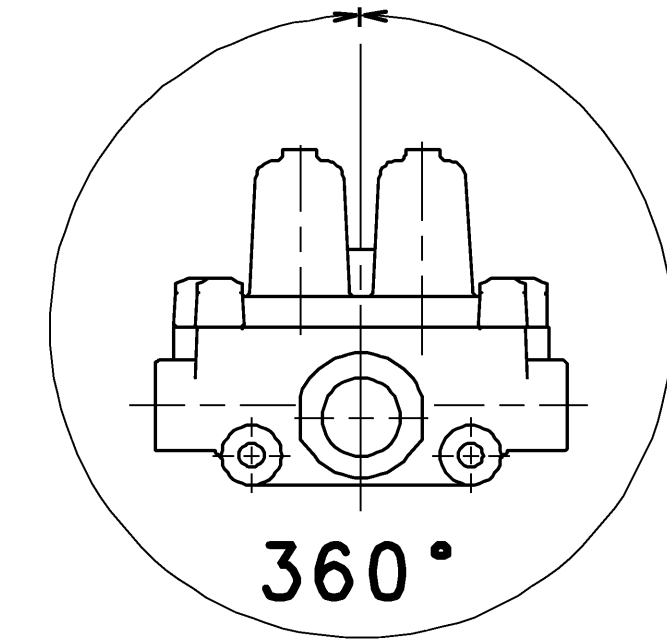
SERVICE PRESSURE.
BETRIEBSDRUCK. MAX 13 bar.
PRESSION DE SERVICE.
PRESSIONE D'ESERCIZIO.

MEDIUM AIR
MEDIUM LUFT.
MILIEU AIR.
FLUIDO ARIA.

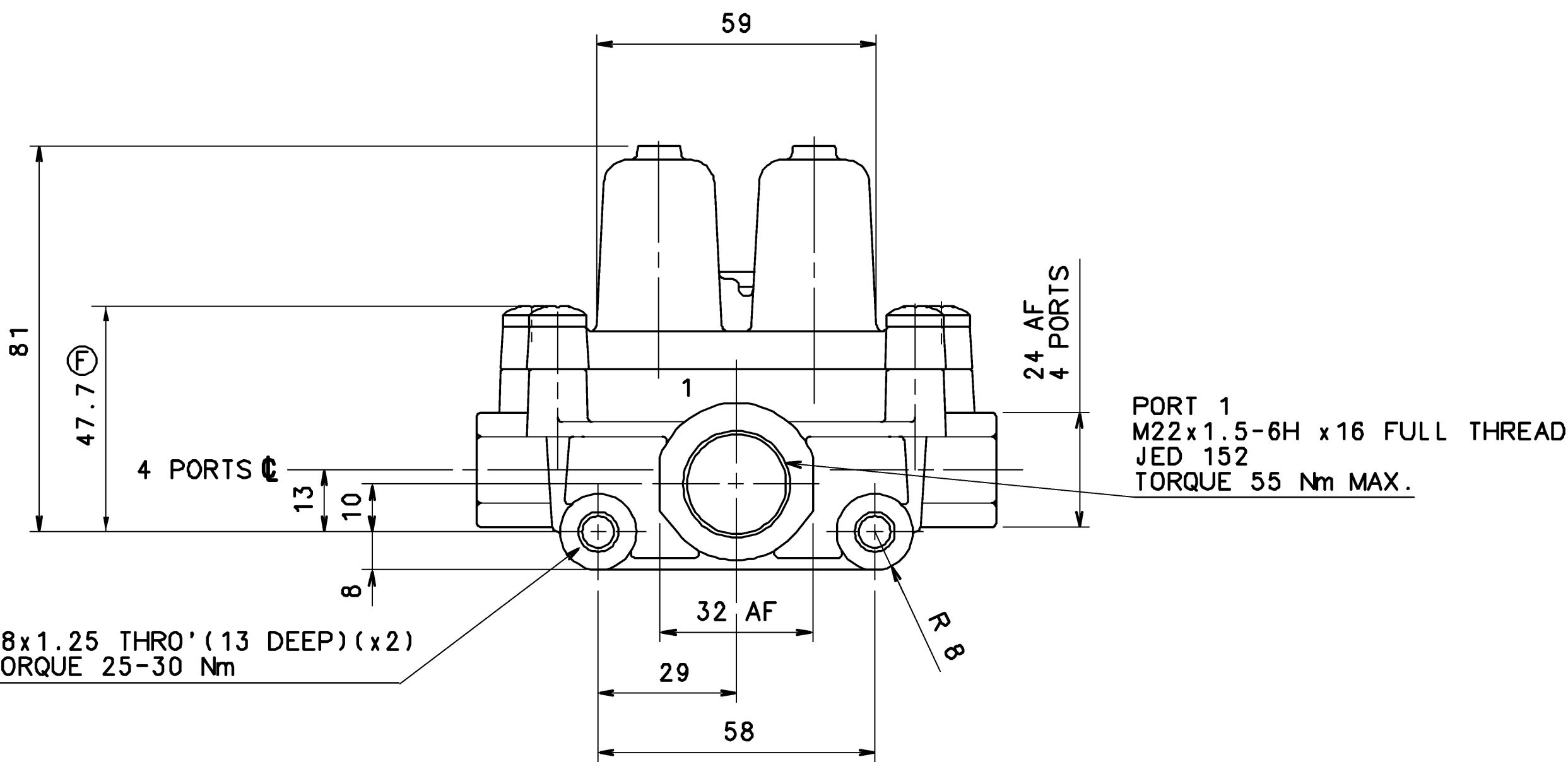
CONNECTIONS ANSCHLUESSE
ORIFICES ALIMENTATION
ORIFIZI

1- LUFTE INTRITT
2- KREIS 2
3- KREIS 3
4- KREIS 4

21- CIRCUIT 1
22- CIRCUIT 2
23- CIRCUIT 3
24- CIRCUIT 4



VALVE MAY BE MOUNTED AT ANY ANGLE,
BUT TOWERS POINTING UP PREFERRED



* THE PRESSURE IN CIRCUIT 2.3 & 2.4
CAN BLEED DOWN TO THAT IN
CIRCUIT 2.1.

PORTS ORIFICES	ANSHLUESSE ATTACCHI	21	22	23	24
OPENING PRESSURE DYNAMIC OEFFNUNGSDRUCK DYNAMISCH PRESSION DE OUVERTURE DYNAM PRESSIONE DI APERTURA DINAM	P1 BAR	7 ⁺⁰ _{-0.3}		7.5 ⁺⁰ _{-0.3}	7 ⁺⁰ _{-0.3}
CLOSING PRESSURE DYNAMIC SCHLIESSDRUCK DYNAMISCH PRESSION DE FERMETURE DYNAM PRESSIONE DI CHIUSURA DINAM	BAR	≥ 5			
CLOSING PRESSURE STATIC AT FAILURE OF CIRCUIT ... SCHLIESSDRUCK STATISCH BEI AUSFALL VON KREIS ... PRESSION DE FERMETURE STATIQUE EN CAS DE DEFAILLANCE DU CIRCUIT ... PRESSIONE DI CHIUSURA STATICA IN CASO DI DIFETTO DEL CIRCUITO ...	BAR	0	≥ 4.5	≥ 6.7 *	
		≥ 4.5	0	≥ 6.7 *	
		≥ 4.5		0	≥ 4.5
		≥ 4.5	≥ 4.5	0	

M16 x 1.5-6H x 13 FULL THREAD
JED 152
TORQUE 35 Nm MAX.

4 ADJUSTERS SECURED AGAINST TAMPERING,
WITH LOCTITE AFTER TEST.

CORROSION PROTECTION:-
ALUMINIUM PARTS CHROMATED
TO JED-259
SCREWS MECHANICALLY ZINC PLATED
AND PASSIVATED
(JED-256-4)

DRAWING PRODUCED ON CADAM
MANUAL CHANGES PROHIBITED

DIMENSIONS IN MILLIMETRES

General Specification: JED-334-0		Copyright WABCO		WABCO	
Further Technical Data:		Date	20.04.2009	Origin	CHAMOT
Doc. Code:	Sheet: 1	Checked			
General Tolerances (ED-251)		20.04.2009		MACH	
Range of Nominal Dimensions (± mm)		EIMI			
Class	< 50	> 50 < 180	> 180 < 400	> 400	MACH
Fine	0.5	1.0	1.5	2.0	
Medium	1.0	2.0	3.0	4.0	±3*
Coarse	2.0	3.5	5.0	6.5	
Tapped Holes acc.		Mass	Scale	Material No.	Date of first issue: 07.12.95
1) Tolerance Class Applied Crossmarked		1.1	1:1	934 714 125 0	005 ML 1/1
		Size	CAD System	ECN-No.	Revision
		A 1	CCD	121685	3F
				Techn. Resp.	510
				Replacement for	