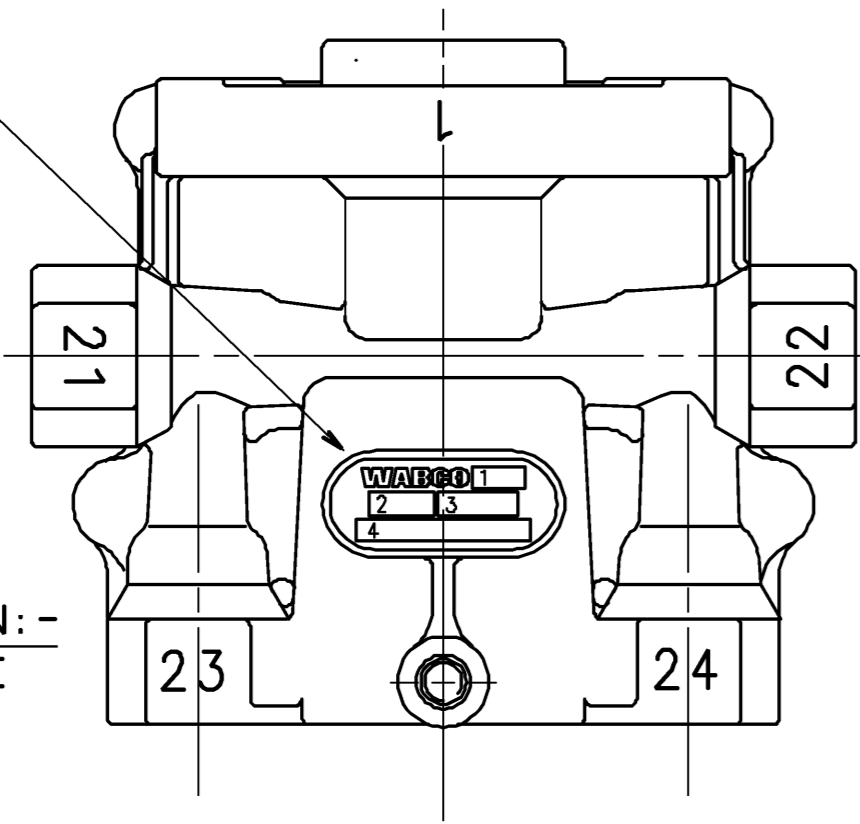


LABEL MARKED WITH :-  
 1.PRODUCTION PLANT  
 2.DATE OF MANUFACTURE  
 3.REVISION LEVEL  
 4.PART NUMBER  
 SCHILD MIT AUFSCHRIFT:-  
 1.FERTIGUNGSWERK  
 2.HERSTELLDATUM  
 3.ANDERUNGSSTAND  
 4.TEILE NR.  
 ETIQUETTE COMPORTANT:-  
 1.USINE DE PRODUCTION  
 2.DATE DE FABRICATION  
 3.NIVEAU DE REVISION  
 4.NO.DE PIECE  
 ETICHETTA CONTRASSEGNA CON:-  
 1.STABILIMENTO DI PRODUZIONE  
 2.DATA DI FABBRICAZIONE  
 3.LIVELLO DI REVISIONE  
 4.PARTICOLARE NO.

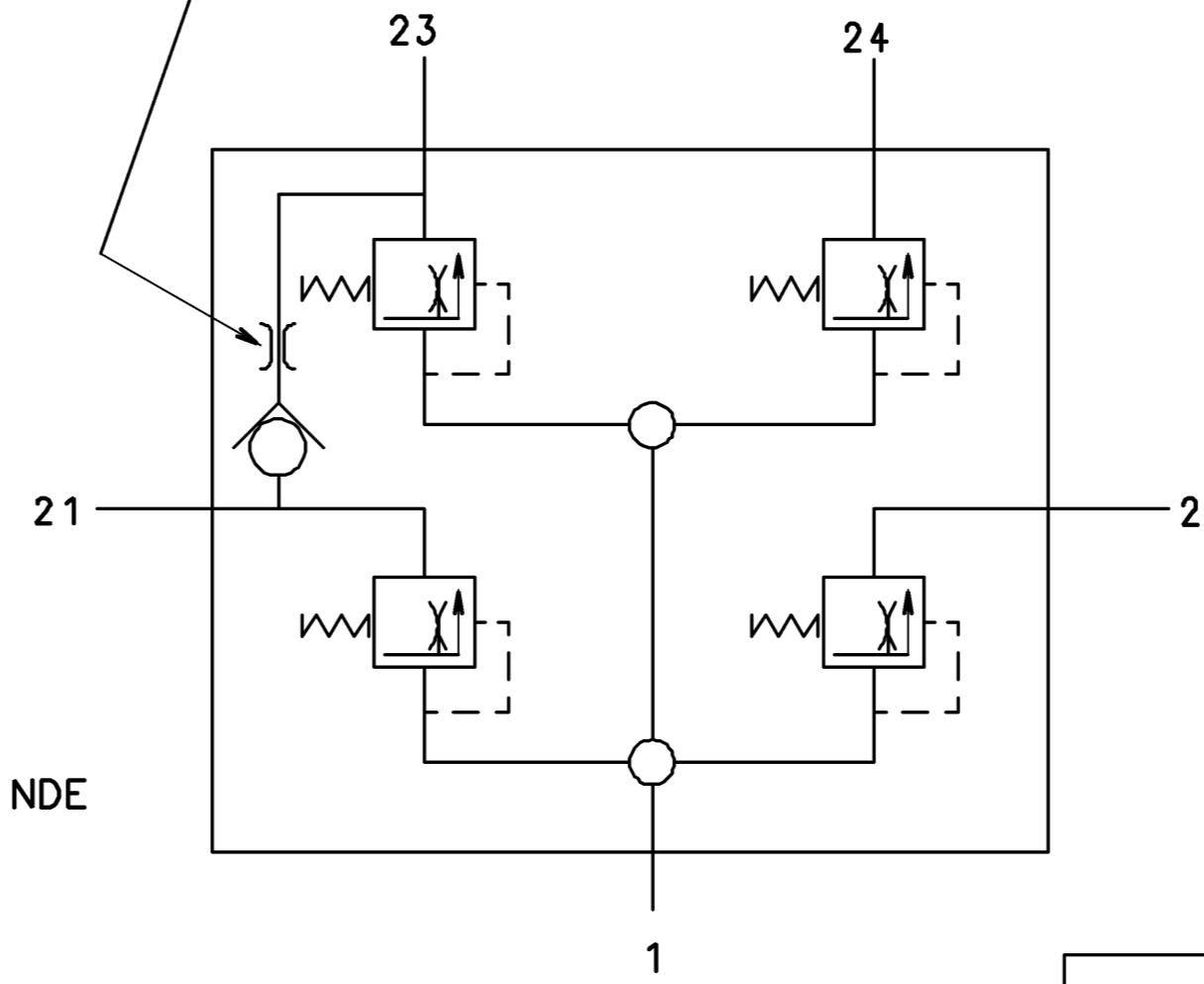


FLOW RATE = 16-35 l/min  
 AT P<sub>23</sub>=8, P<sub>21</sub>=0 bar  
 DURCHFLUSSMENGE = 16-35 l/min  
 BEI P<sub>23</sub>=8, P<sub>21</sub>=0 bar  
 DEBIT = 16-35 l/min  
 SOUS P<sub>23</sub>=8, P<sub>21</sub>=0 bar  
 PORTATA = 16-35 l/min  
 PER P<sub>23</sub>=8, P<sub>21</sub>=0 bar

ADMISSIBLE TEMPERATURES.  
 THERMISCHER ANWENDUNGSBEREICH. -40°C TO +90°C  
 TEMPERATURE DE SERVICE  
 TEMPERATURA D'ESERCIZIO.

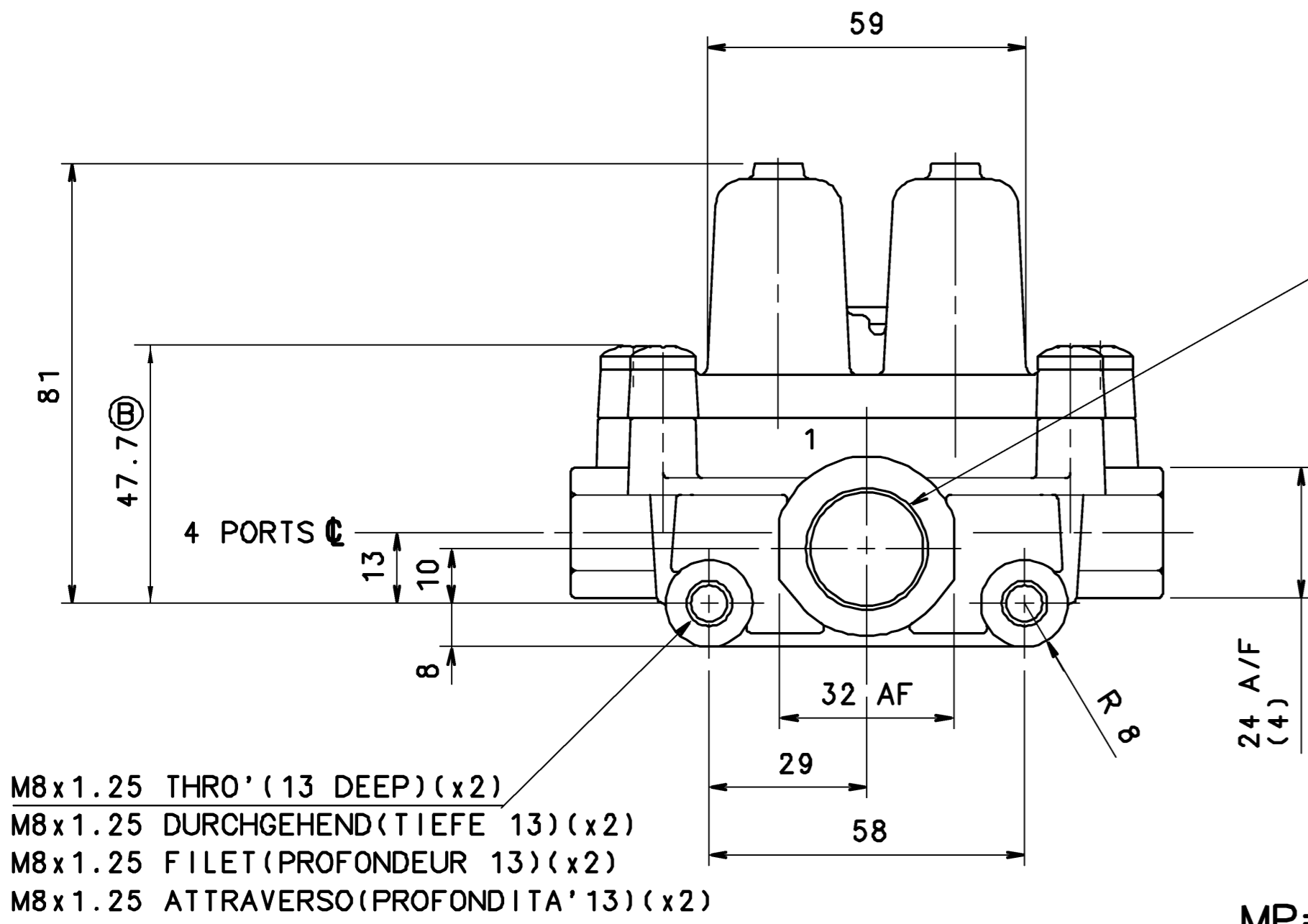
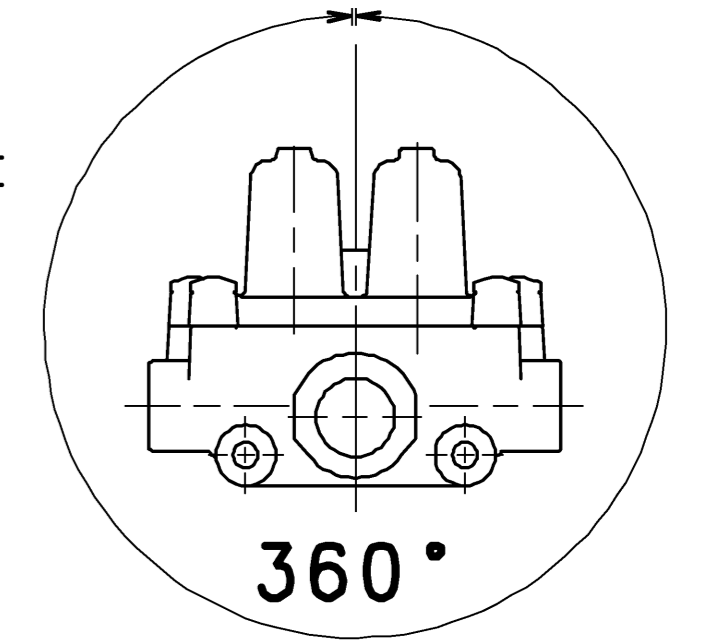
SERVICE PRESSURE.  
 BETRIEBSDRUCK. MAX 13 bar.  
 PRESSION DE SERVICE.  
 PRESSIONE D'ESERCIZIO.

MEDIUM LUFT.  
 MILIEU AIR.  
 FLUIDO ARIA.  
 FLUIDO ARIA.



CONNECTIONS ANSCHLUESSE ORIFICES ORIFIZI

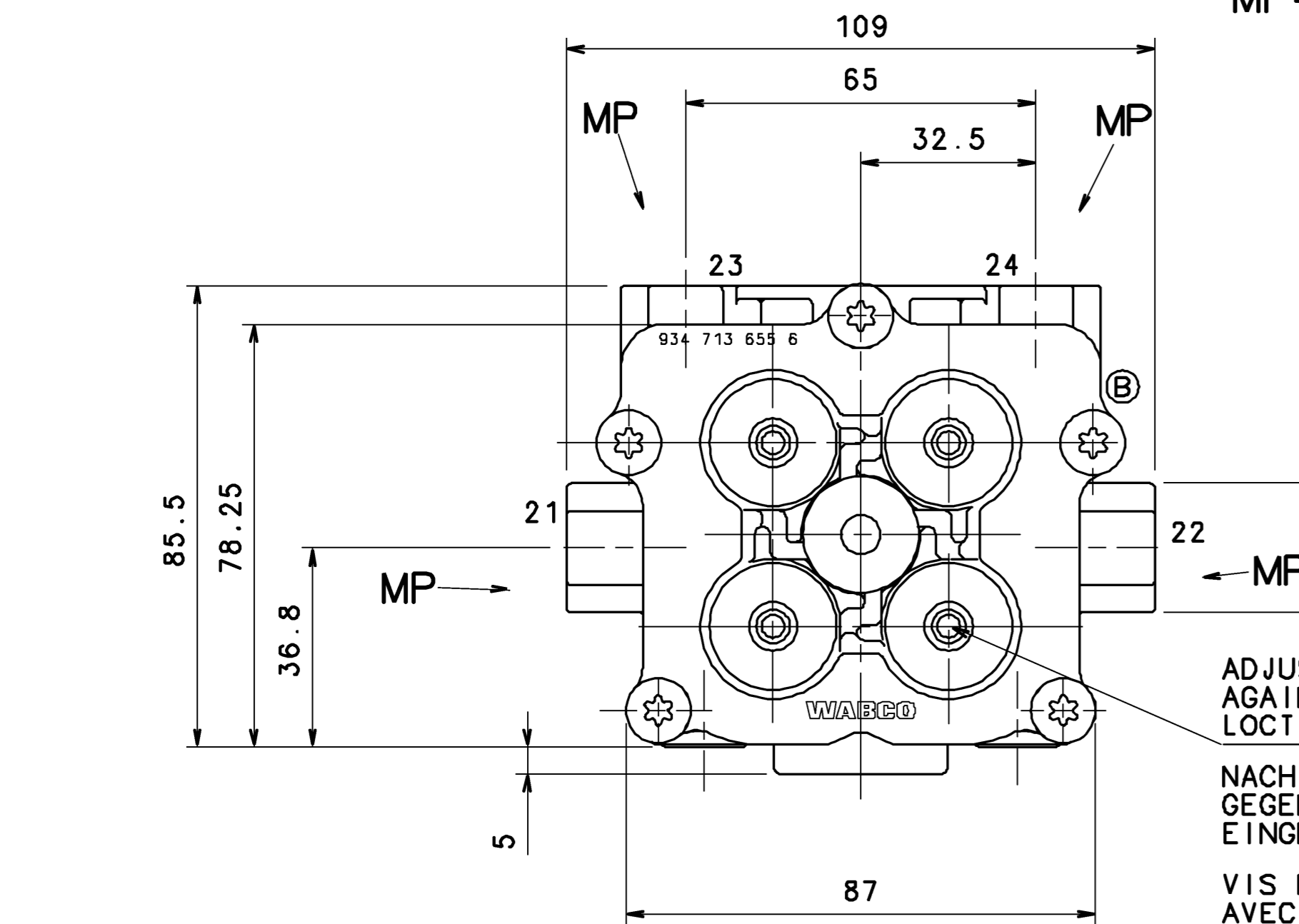
1 - SUPPLY LUFTEINTRITT ALIMENTATION ALIMENTAZIONE	
21- CIRCUIT 1 KREIS 1 CIRCUIT 1 CIRCUITO 1	22- CIRCUIT 2 KREIS 2 CIRCUIT 2 CIRCUITO 2
23- CIRCUIT 3 KREIS 3 CIRCUIT 3 CIRCUITO 3	24- CIRCUIT 4 KREIS 4 CIRCUIT 4 CIRCUITO 4



PORT 1  
 M22x1.5-6H x16 FULL THREAD  
 JED 152  
 TORQUE 55 Nm MAX.  
 ANSCHLUESSE 1  
 M22x1.5-6H x16 DURCHGEHENDES GEWINDE  
 JED 152  
 ANZUGSMOMENT 55 Nm MAX.  
 ORIFICES 1  
 M22x1.5-6H x16 FILET COMPLET  
 JED 152  
 COUPLE DE SERRAGE 55 Nm MAX.  
 ORIFIZI 1  
 M22x1.5-6H x16 FILETTATURA COMPLETA  
 JED 152  
 COPPIA DI SERRAGGIO 55 Nm MAX.

M16x1.5-6H x13 FULL THREAD  
 JED 152  
 TORQUE 35 Nm MAX.  
 M16x1.5-6H x13 DURCHGEHENDES GEWINDE  
 JED 152  
 ANZUGSMOMENT 35 Nm MAX.  
 M16x1.5-6H x13 FILET COMPLET  
 JED 152  
 COUPLE DE SERRAGE 35 Nm MAX.  
 M16x1.5-6H x13 FILETTATURA COMPLETA  
 JED 152  
 COPPIA DI SERRAGGIO 35 Nm MAX.

MP=



ADJUSTING SCREWS SECURED AGAINST TAMPERING WITH LOCTITE AFTER TEST.

NACH PRUFUNG MIT LOCTITE GEGEN UNBEFUGTE EINGRIFFE GESICHERT

VIS DE REGLAGE FIXEES AVEC LOCTITE PAR SECURITE APRES ESSAI

VITI DI REGOLAZIONE FISSATE CONTRO MANOMISSIONE CON LOCTITE DOPO LE PROVE

CORROSION PROTECTION:-  
 KORROSIONSSCHUTZ  
 PROTECTION ANTICORROSIVE  
 PROTEZIONE ANTICORROSIONE

ALUMINIUM PARTS CHROMATED TO JED-259  
 ALUMINIUMTEILE CHROMIERT GEMASS JED-259  
 PIECES ALUMINIUM CHROMEES POUR JED-259  
 PEZZI IN ALUMINIO CROMATI PER JED-259

SCREWS MECHANICALLY ZINC PLATED AND PASSIVATED (JED-256-4)

SCHRAUBEN MECHANISCH VERZINKT UND PASSIVIERT (JED-256-4)

VIS MECANIQUEMENT ZINGUEES ET PASSIVEES (JED-256-4)

VITI MECCANICAMENTE ZINCATE E PASSIVATE (JED-256-4)

PORTS ORIFICES	ANSHLUESSE ATTACCHI	21	22	23	24
OPENING PRESSURE DYNAMIC OEFFNUNGSDRUCK DYNAMISCH PRESSION DE OUVERTURE DYNAM PRESSIONE DI APERTURA DINAM	BAR	6.5 <sup>+0</sup> <sub>-0.3</sub>		7.4 <sup>+0</sup> <sub>-0.3</sub>	6.5 <sup>+0</sup> <sub>-0.3</sub>
CLOSING PRESSURE DYNAMIC SCHLIESSDRUCK DYNAMISCH PRESSION DE FERMETURE DYNAM PRESSIONE DI CHIUSURA DINAM	BAR	≥ 4.5			
CLOSING PRESSURE STATIC AT FAILURE OF CIRCUIT ... SCHLIESSDRUCK STATISCH BEI AUSFALL VON KREIS ... PRESSION DE FERMETURE STATIQUE EN CAS DE DEFAILLANCE DU CIRCUIT ... PRESSIONE DI CHIUSURA STATICA IN CASO DI DIFETTO DEL CIRCUITO ...	BAR	0	≥ 4.5	≥ 4.5	
		≥ 4.5	0	≥ 4.5	
		≥ 4.5		0	≥ 4.5
		≥ 4.5	≥ 4.5		0

DRAWING PRODUCED ON CADAM  
 MANUAL CHANGES PROHIBITED

DIMENSIONS IN MILLIMETRES

General Specification: JED-334-0		Copyright WABCO		<b>WABCO</b>	
Further Technical Data:		Date	Origin	QUADRUPLE CIRCUIT PROTECTION VALVE. VIERKREIS - SCHUTZVENTIL. VALVE DE PROTECTION LA 4 CIRCUITS. VALVOLA DI PROTEZIONE LA 4 CIRCUITI.	
Doc. Code:	Sheet: To	20.04.2009	CHAMOT		
General Tolerances JED-251		Checked	20.04.2009	MACH	
Range of Nominal Dimensions (± mm)		EIMI			
Class	1) < 50	> 50	> 180	MACH	
Fine	0.5	1.0	1.5	2.0	
Medium	1.0	2.0	3.0	4.0	±3*
Coarse	2.0	3.5	5.0	6.5	
Tapped Holes acc.		Mass	Scale	Material No.	
1) Tolerance Class Applied Crossmarked		1.1	1:1	934 714 211 0	
		Size	CAD System	Rev. Code	Language
		A 1	CCD	005	ML
		ECN No.	Revision	Techn. Resp.	Sheet
		121685	3B	510	1/1
		100mm			