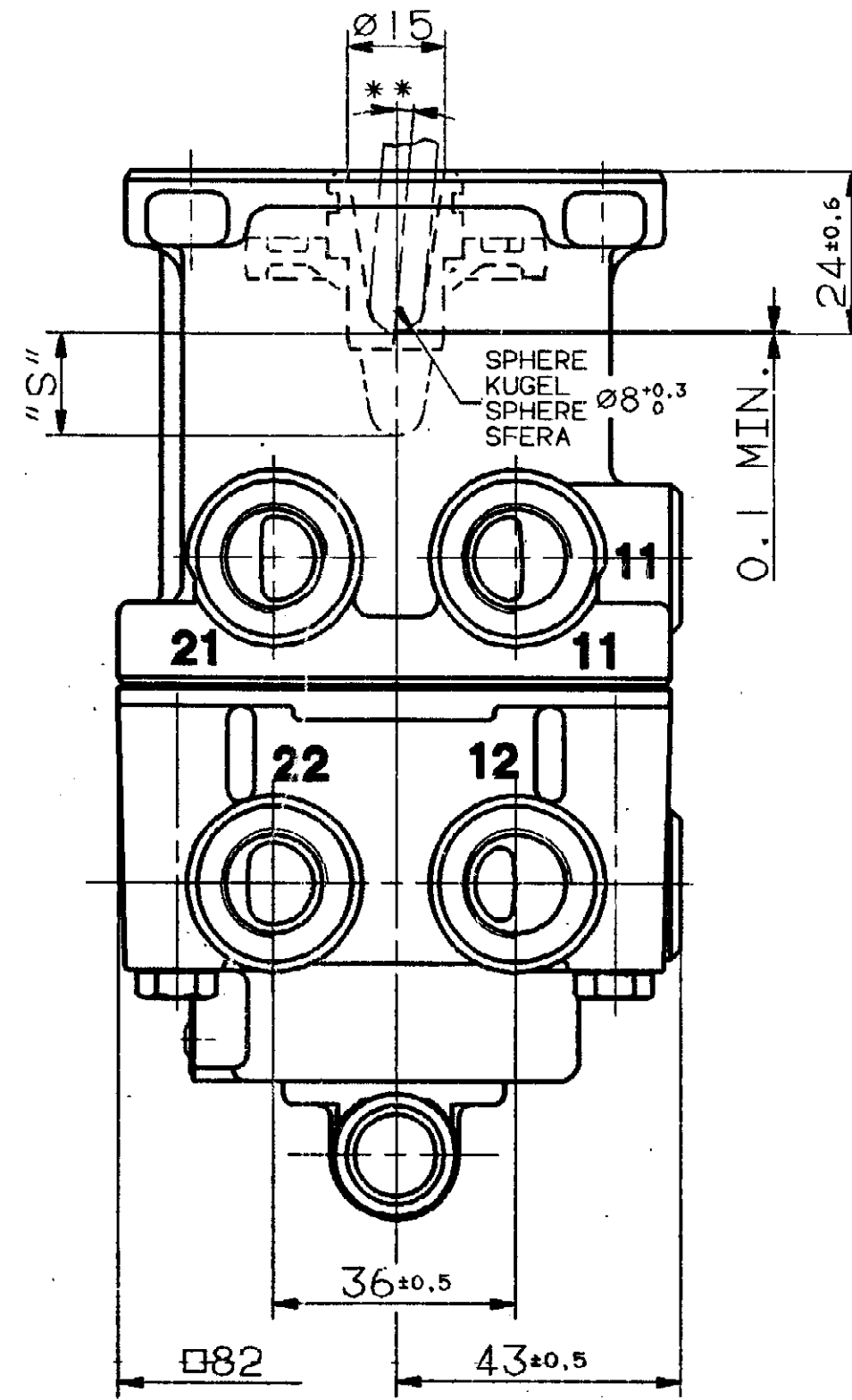
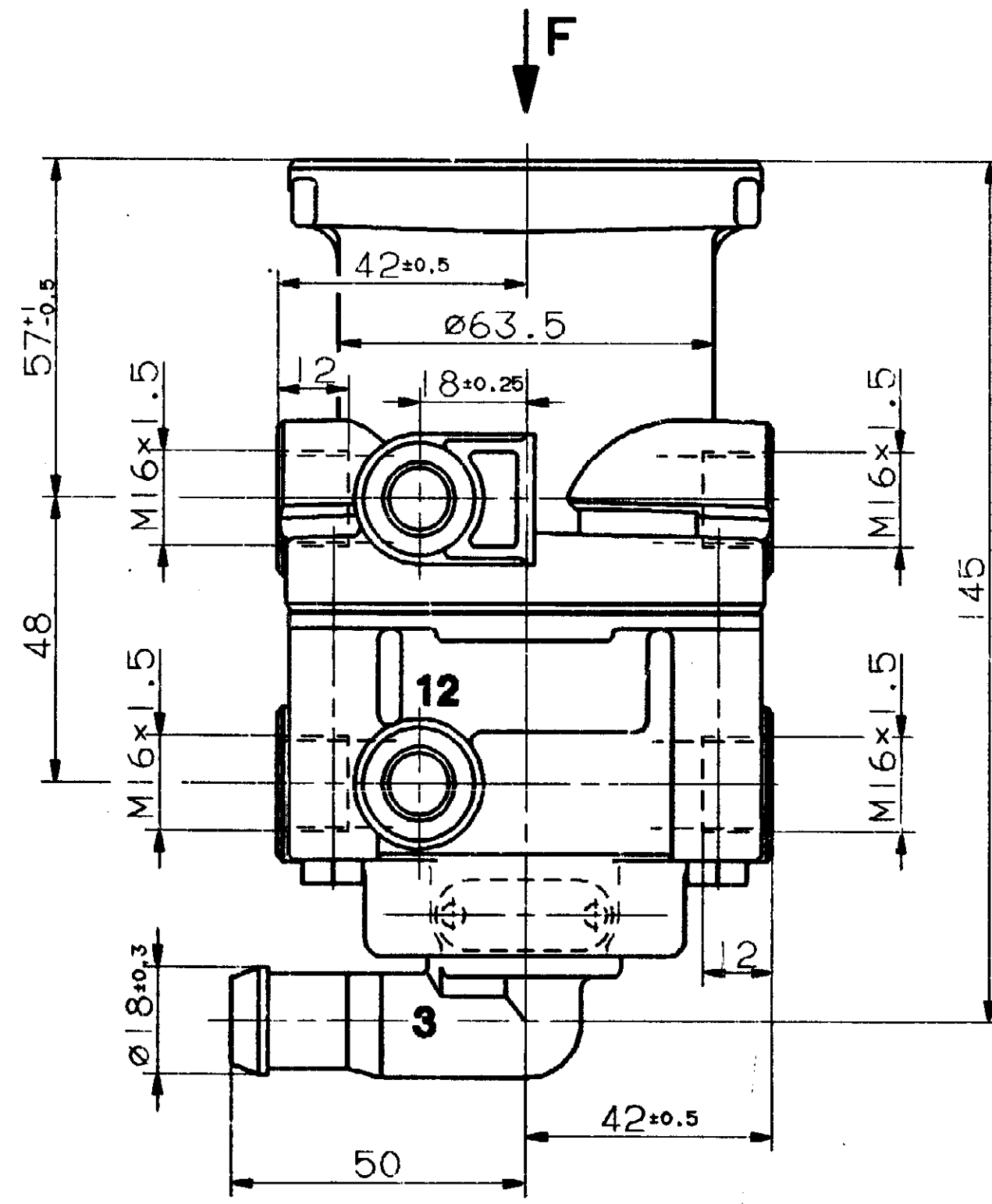
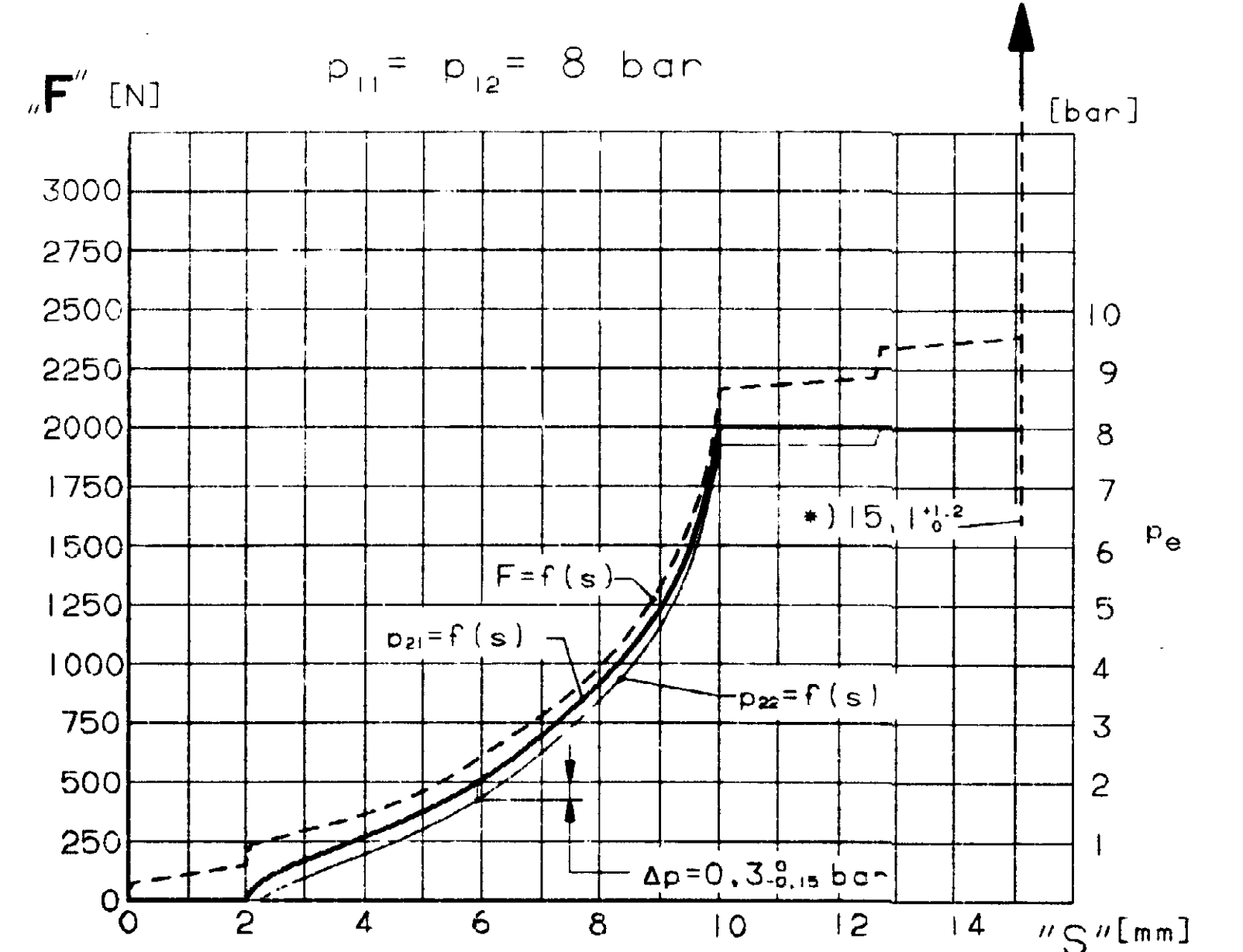


F (MAX. ADMISSIBLE ZULAESSIG 15000 N)  
ADMISSIBLE  
AMMISSIBILE



ALL ROUND  
ALLSEITIG  
UNIVERSAL  
SU CIASCUN LATO  
MAX. 5°



AT FAILURE CIRCUIT I : NECESSARY COURSE S ≥ 14 mm  
NECESSARY FORCE F = 3400 N  
BEI AUSFALL KREIS I : ERFORDERLICHER WEG S ≥ 14 mm  
ERFORDERLICHE KRAFT F = 3400 N  
EN CAS DE DEFAILLANCE : COURSE NECESSAIRE S ≥ 14 mm  
FORCE NECESSAIRE F = 3400 N  
IN CASO DI DIFETTO, CORSA NECESSARIA S ≥ 14 mm  
FORZA NECESSARIA F = 3400 N

\*) STOP WITHIN THE DEVICE ADMISSIBLE  
ANSCHLAG IM GERAET ZULAESSIG  
BUTEE DANS L APPARAIL ADMISSE  
ARRESTO NEL APPARATO AMMISSIBILE

11/12 SUPPLY  
VORRAT ALIMENTATION  
ALIMENTAZIONE

21/22 OUTLET  
AUSGANG SORTIE  
USCITA

3 EXHAUST  
ENTLUEFTUNG  
ECHAPPEMENT  
SCARICO

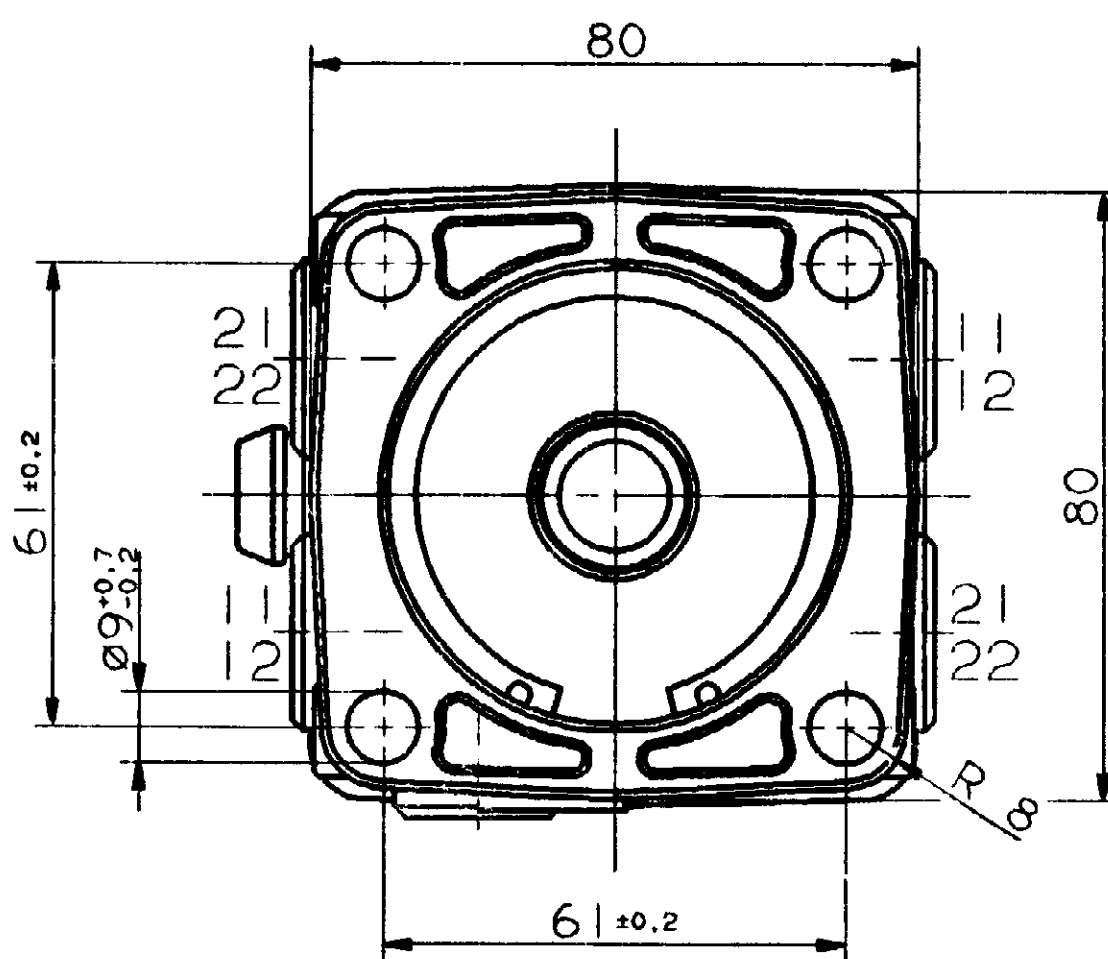
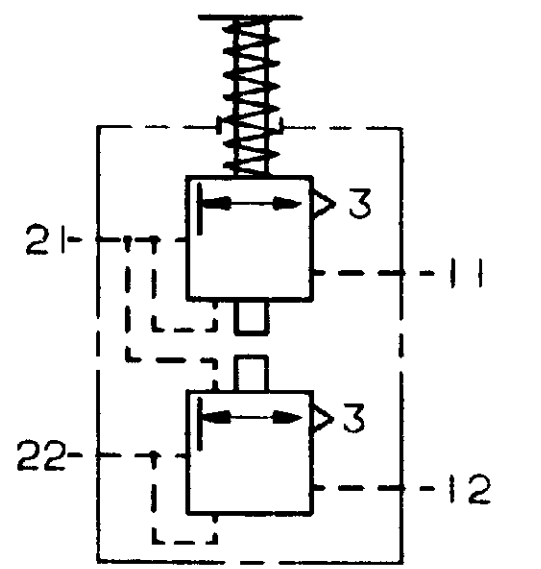
MEDIUM: AIR  
MEDIUM: LUFT  
FLUIDE: AIR  
FLUIDO: ARIA

NOMINAL DIAMETER :  
NENNWEITE : 78.5 mm<sup>2</sup> ± 0.10  
DIAMETRE NOMINAL :  
DIAMETRO NOMINALE :

MAX. WORKING PRESSURE :  
MAX. BETRIEBSDRUCK : p\_e = 10 bar  
PRESSION C UTILISATION MAXI :  
PRESSIONE DI ESERCIZIO MAX. :

THERMAL RANGE OF APPLICATION :  
THERM. ANWENDUNGSBEREICH : -40°C...+80°C  
GAMME D APPLICATION THERMIQUE :  
CAMPO DI APPLICAZIONE TERMICA :

INSTALLATION POSITION : OPTIONAL  
EINBAULAGE : BELIEBIG  
POSITION D INSTALLATION : INDIFFERENT  
POSIZIONE DI MONTAGGIO : INDIFFERENTE



Vertical text on the left margin containing copyright and technical information.

FURTHER TECHNICAL DATA SEE		L	
IDENTIFICATION NO.		K	
CODE FOR DOCUMENT: 605	SHEET: TO	J	
GENERAL TOLERANCES		H	
RANGE OF NOMINAL DIMENSIONS (± mm)		99993	05-05-23
CLASS		F	
I	> 50 > 180	E	
II	250 280 3400	D	
III	0.5 1.0 1.5 2.0	C	
	1.0 2.0 3.0 4.0	B	
	2.0 3.5 5.0 6.5	A	
APPLIED WITH ACC. ISO 4014 / JED-152		DCN-NO	REV.
TOLERANCE CLASS APPLIED CROSSMARKED		DATE	
COPYRIGHT		WABCO	
DATE: 85-05-28		SIGNATURE: M. SGF	
DRAWN: 85-05-28		CHECKED: J. JAS	
STANDARDIZATION: J. JAS		PRODUCT IDENTIFICATION NO.:	
DISTRIBUTOR: J. SOMMER		461 315 008 0	
MASS SCALE: 1:1		CODE FOR DOCUMENT SHEET: 605	
SIZE: A		REPLACEMENT FOR: 605	
A   140		ORIG. OF 81-01-16	
EXPERT CODE: 7376		TYPE OF PRODUCT: 010	