

I	JED-259
II	JED-256
III	JED-257
IV	KUNSTSTOFF
V	JED-260

TORQUE FOR CONNECTIONS:
 ANZUGSMOMENT FUER EINSCHRAUBSTUTZEN: M16x1.5: M_{max} = 34 Nm
 COUPLE DE SERRAGE DES RACCORDS: M22x1.5: M_{max} = 53 Nm
 COPPIA DI SERRAGGIO DEI RACCORDI:

THERMAL RANGE OF APPLICATION:
 THERMISCHER ANWENDUNGSBEREICH: -40°...+80° C
 GAMME D'APPLICATION THERMIQUE:
 CAMPO DI APPLICAZIONE TERMICA:

MEDIUM: AIR
 MEDIUM: LUFT
 FLUIDE: AIR
 FLUIDO: ARIA

WORKING PRESSURE:
 BETRIEBSDRUCK:
 PRESSION DE SERVICE:
 PRESSIONE D'ESERCIZIO:

SUPPLY
 VORRAT *MAX. p_e 13bar
 ALIMENTATION
 ALIMENTAZIONE

DELIVERY PRESSURE
 AUSGESTEUERTER DRUCK
 PRESSION DELIVREE
 PRESSIONE EROGATA

EXHAUST
 ENTLUEFTUNG
 ECHAPPEMENT
 SCARICO

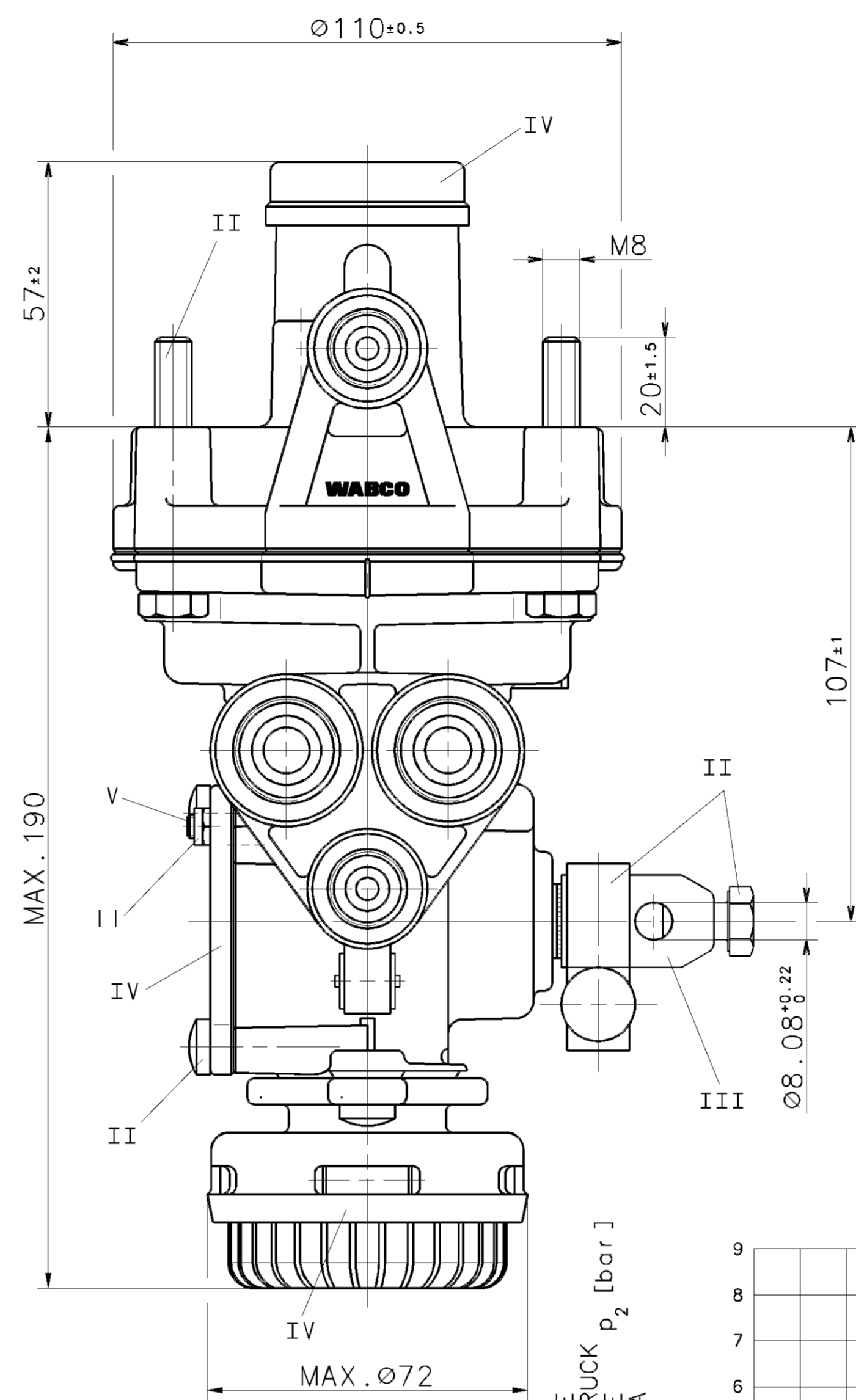
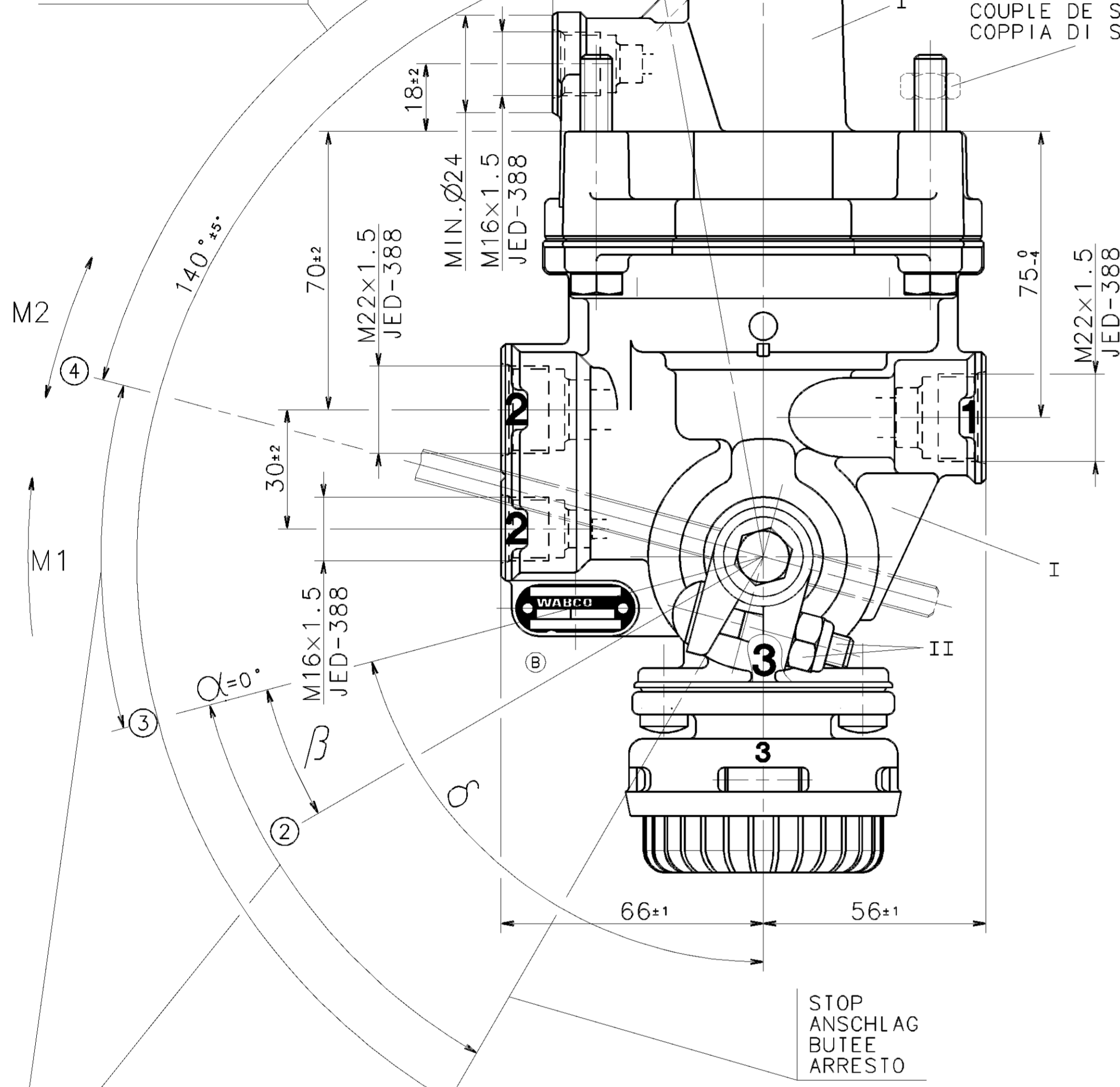
CONTROL PRESSURE
 STEUERDRUCK (TEMPORARY)
 PRESSION DE COMMANDE *MAX. p_e 10.2bar (KURZZEITIG)
 PRESSIONE DI COMANDO (DE COURTE DUREE MAX. p_e 13bar)
 (BREVE TEMPO SOLO)

NECESSARY DISPLACING MOMENT
 ERFORDELRICHES VERSTELLMOMENT
 COUPLE NECESSAIRE AU MOUVEMENT
 COPPIA DI REGOLAZIONE NECESSARIA

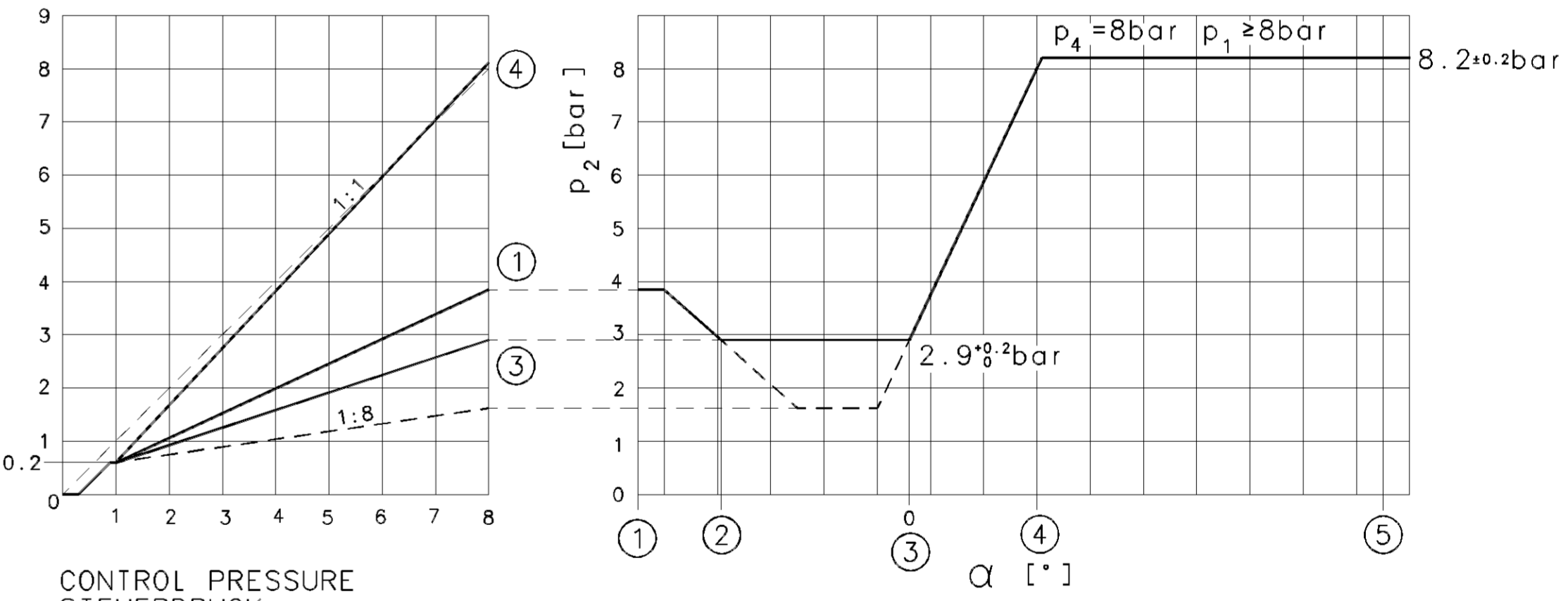
ADMISSIBLE DISPLACING MOMENT:
 ZULAESSIGES VERSTELLMOMENT:
 ADMISSIBLE MAXI AU MOUVEMENT:
 COPPIA DI REGOLAZIONE AMMESSA: 20 Nm

POSITION OF THE LEVER
 HEBELSTELLUNG
 POSITION DU LEVIER
 POSIZIONE LEVA

ADDITIONAL STROKE
 UEBERHUB
 COURSE ADDITIONELLE
 CORSA SUPPLEMENTARE



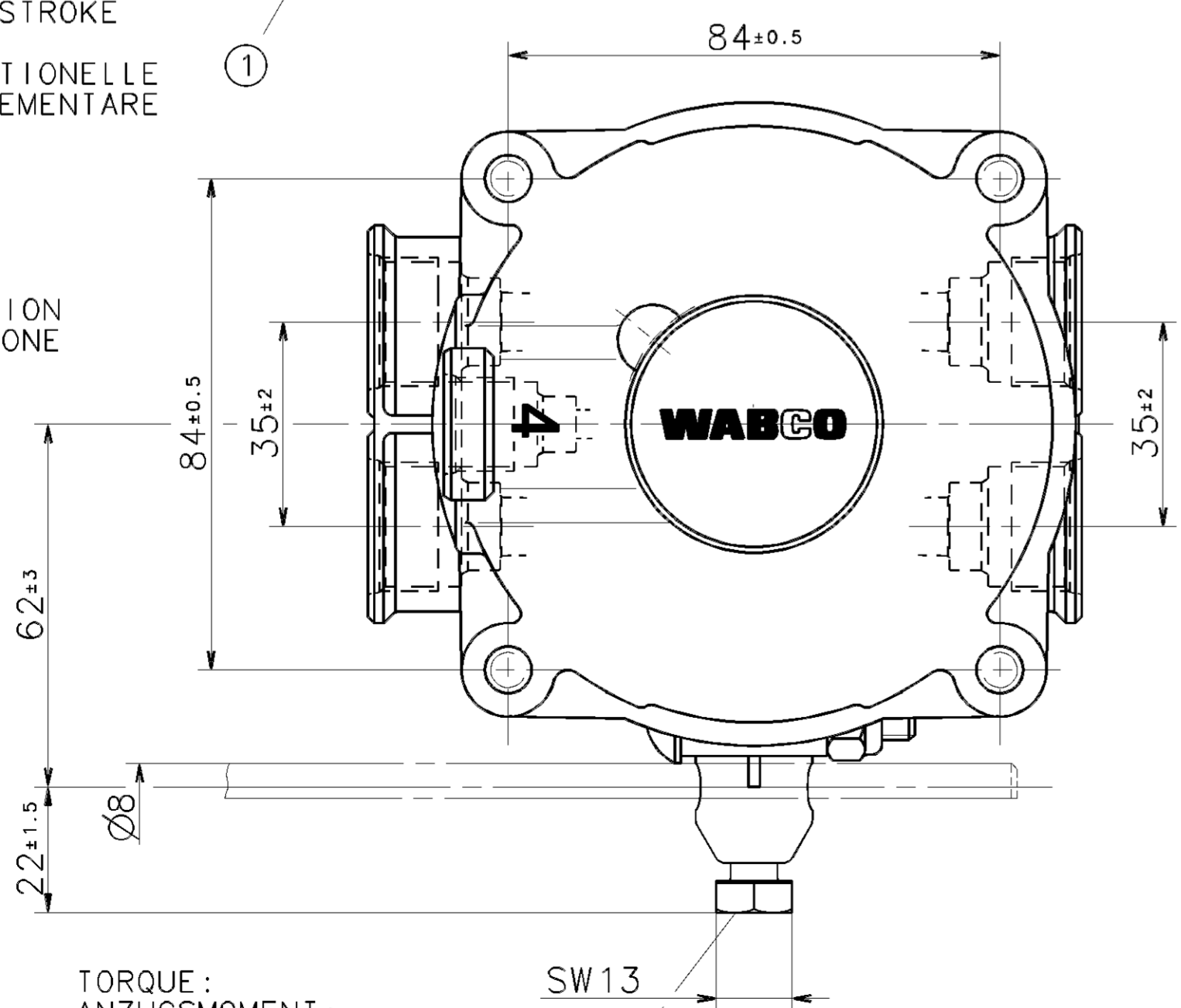
DELIVERY PRESSURE
 AUSGESTEUERTER DRUCK p₂ [bar]
 PRESSIONE EROGATA



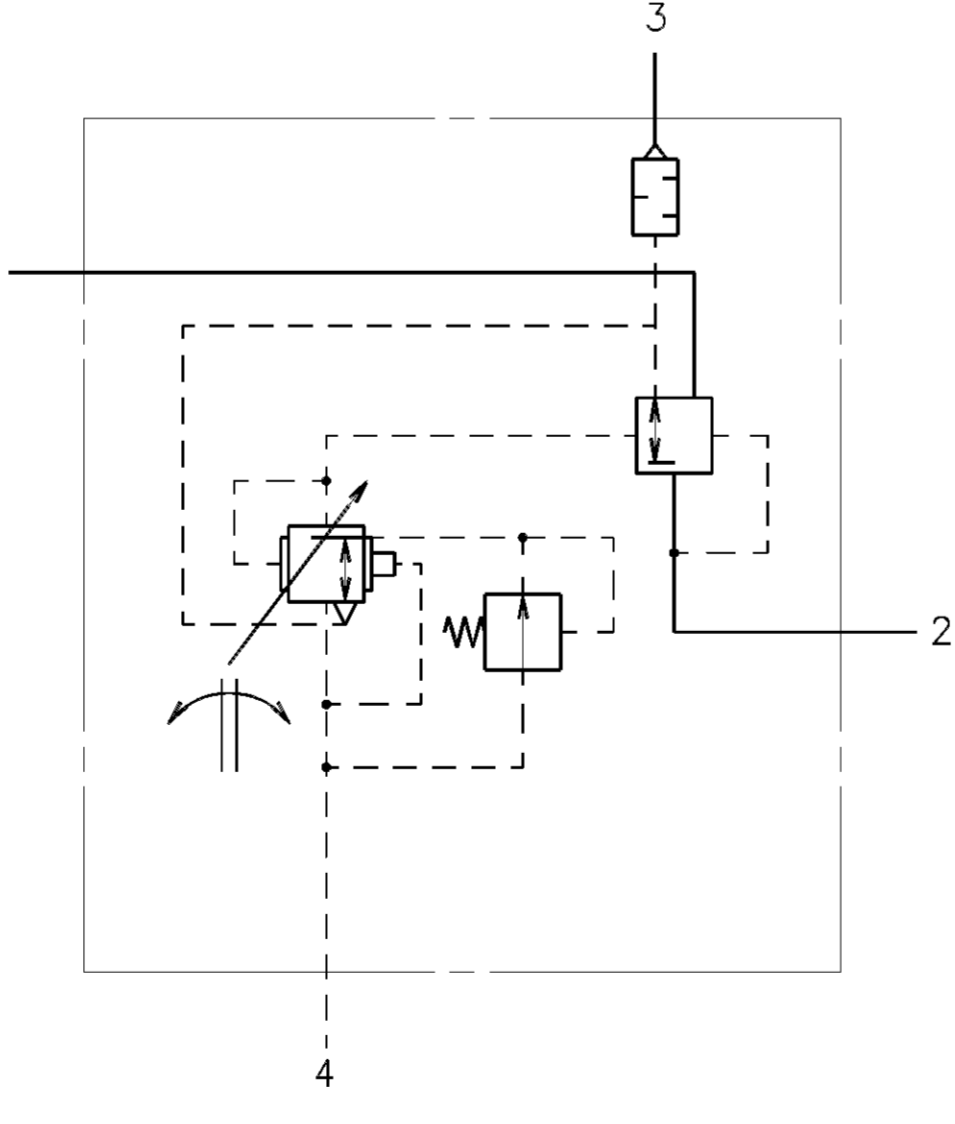
CONTROL PRESSURE
 STEUERDRUCK
 PRESSION DE COMMANDE p₄ [bar]
 PRESSIONE DI COMANDO

ADDITIONAL STROKE
 UEBERHUB
 COURSE ADDITIONELLE
 CORSA SUPPLEMENTARE

CONTROL STROKE
 REGELHUB
 COURSE DE REGULATION
 CORSA DI REGOLAZIONE



M=20 Nm
 TORQUE:
 ANZUGSMOMENT:
 COUPLE DE SERRAGE:
 COPPIA DI SERRAGGIO:



IDENTIFICATION								
475 710 137 0	A 003 431 16 12	24	36	51 ^{±0}	84	1.6		
475 710 136 0	A 003 431 27 12	16	39	54 ^{±0}	84	2.4		
ZGS	WABCO	CUSTOMER'S NO. KUNDEN-NR.	NO. CLIENT kZ NO. CLIENTE	α	β	γ	δ	[Nm]
								M1

GENERAL SPECIFICATION: JED-334					
FURTHER TECHNICAL DATA:					
DOC. CODE:	SHEET:	TO:			
GENERAL TOLERANCES					
RANGE OF NOMINAL DIMENSIONS (± mm)					
CLASS 1)	≤50	>50 ≤180	>180 ≤400	>400	
FINE	±0.5	±1.0	±1.5	±2.0	
MEDIUM	±1.0	±2.0	±3.0	±4.0	
COARSE	±2.0	±3.5	±5.0	±6.5	
TAPPED HOLES ACC. TO	ISO 16791	JED-388	057066	4xA	95-03-28
DEN-NO.	REV.	DATE			

CADAM-DESIGNING COPYRIGHT			
DATE		SIGNATURE	
DRAWN: HAUKE		AUTOM. LOAD-SENSING VALVE	
CHECKED: FAUCK		AUTOM. BREMSKRAFTREGLER	
STANDARDIZATION: KIEL DEIKE		CORRECTEUR DE FREINAGE AUTOM.	
95-01-31		REGOLATORE DI FREINATURA AUTOM.	
PRODUCT IDENTIFICATION NO.			
MASS	SCALE	475 710 093 0	
1.9	1:1	653	
SIZE	T.R.T.	1/1	
SHAPE CODE			
REPLACEMENT FOR 884 009 637 0 OF 94-05-18			
EXPERT CODE 7142			
PRODUCT TYPE 010			