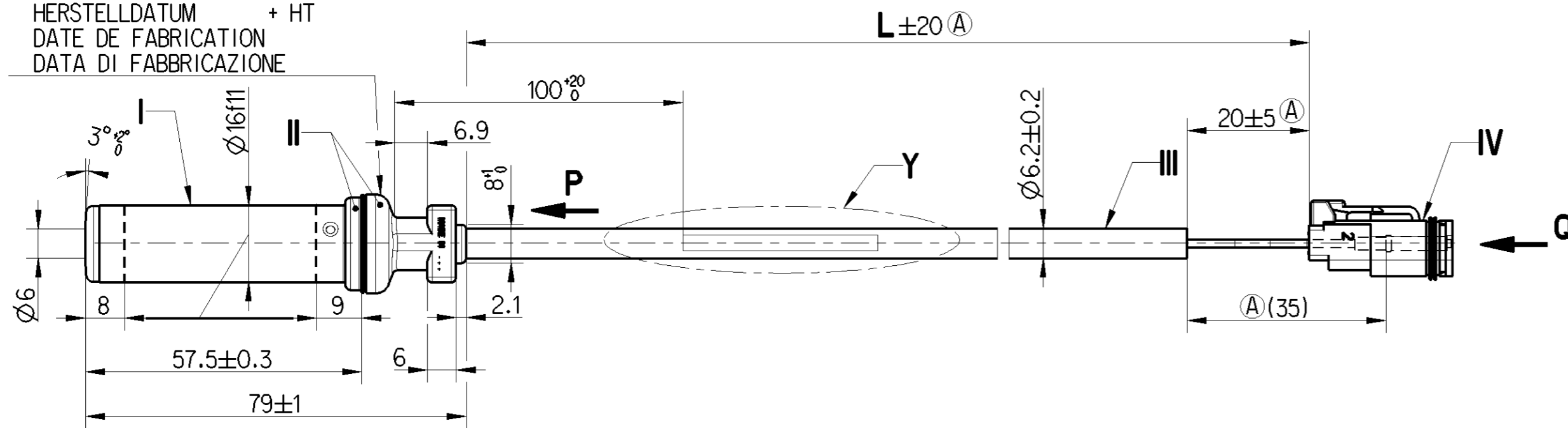


DATE OF MANUFACTURE  
HERSTELLDATUM + HT  
DATE DE FABRICATION  
DATA DI FABBRICAZIONE

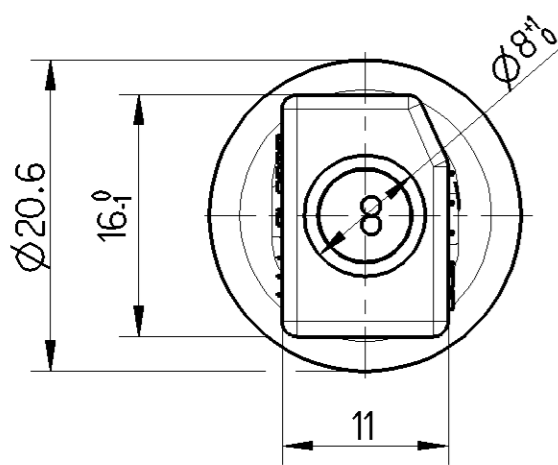


PROVIA-8.8 ...16-JED-868 (1)  $\phi 16f11$  -0.016  
-0.126



**PROVIA** **PRO 032 0.. 0**

PART NO. (1)  
TEILE NR.  
NO. DE PIECE  
CODICE

**MADE IN CHINA**



**P**  
2:1

PROVIA-NO.	L (mm)	VIEW Q	MASS [kg]
PRO 032 015 0	2620	CODE B 	0.175 (A)
PRO 032 014 0	4070	CODE A 	0.247 (A)

THERMAL RANGE OF APPLICATION THERMISCHER ANWENDBEREICH GAMME D'APPLICATION THERMIQUE CAMPO TERMICO D'APPLICAZIONE	I	II	III	IV
	-40 °C...+200 °C [1000h] +210 °C [1h]	-40 °C...+150 °C +180 °C [1h]	-40 °C...+180 °C +220 °C [1h]	-40 °C...+125 °C

TWO CORE CABLE  
LEITUNG ZWEIADRIG  
CABLE A DEUX CONDUCTEURS  
CAVO A DUE CONDUTTORI

THERMORAD  
2x0.96mm<sup>2</sup>

STRAIN RELIEF CABLE  
ZUGENTLASTUNG KABEL  
ARRET DE CABLE  
SCARICO DI TRAZIONE DEL CAVO

MAX.50N  $\pm 20^\circ\text{C}$

BEND RADIUS CABLE  
BIEGERADIUS KABEL  
RAYON DE COURBURE DE CABLE  
RAGGIO DI CURVATURA DEL CAVO

R 15 MIN,  $\leq 90^\circ$

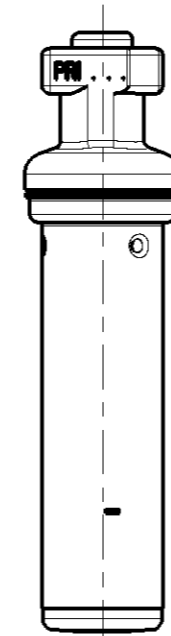
(1) ABRASION RESISTANT PRINT  
ABRIEBFESTER AUFDRUCK  
IMPRESSION RESISTANTE A L' ABRASION  
IMPRONTA RESISTENTE ALL' ABRASIONE

RAL 9001

DEGREE OF PROTECTION  
SCHUTZART  
DEGRE DE PROTECTION  
GRADO DI PROTEZIONE

IP 68  
ISO 20653

CONNECTOR SYSTEM ACCORDING TO CUSTOMER SPECIFICATION. PROVIA DOES NOT PROVIDE ANY WARRANTY RELATING TO CONNECTOR-SYSTEM DEFECTS  
STECKSYSTEM NACH KUNDENANGABEN. FUER MAENDEL AM STECKSYSTEM KEINE GEWAHRLEISTUNG DURCH PROVIA  
SYSTEME DE CONNECTEURS SUIVANT SPECIFICATION DU CLIENT. PROVIA NE FOURNIT AUCUNE GARANTIE RELATIVE AUX DEFATS DANS LE SYSTEME DE CONNECTEURS  
SISTEMA DI CONNETTORI SECONDO SPECIFICA DEL CLIENTE. PROVIA NON FORNISCE NESSUNA GARANZIA SULLE DIFETTI DI SISTEMA DI CONNETTORI



<1> SAFETY CHARACTERISTICS	0
<2> SIGNIFICANT CHARACTERISTICS	0

General Specification: JED-334-1, Size ISO 14405 LP		Copyright WABCO®		<b>PROVIA</b>	
Further Technical Data: PRO 032 014 0		Date	Signature	INDUCTIVE SENSOR WITH PLUG	
Doc. Code: 035	Sheet: 1 To 4	2017-03-01	Richard	STABSENSOR MIT STECKER	
General Tolerances JED-261		Checked	Aswinkumar	CAPTEUR AVEC FICHE	
Range of Nominal Dimensions ( ± mm)		Expert		SENSORE INDUTTIVO CON SPINA	
Class 1)	<math>\le 50</math> <math>> 50 \le 180</math> <math>> 180 \le 400</math> <math>> 400</math>	K P NAGARAJAN		Material No.	
Fine	0.5 1.0 1.5 2.0	Mass	Scale	Date of first issue: 2016-09-08	
Medium	1.0 2.0 3.0 4.0	(2) kg	1:1 (2:1)	Doc.Code Language Sheet	
Coarse	2.0 3.5 5.0 6.5	Size	CAD System	PRO 032 014 0	
Tapped Holes acc.		A 2	CREO	053	ML 1/1
1) Tolerance Class Applied Crossmarked		ECN-No.	Revision	Techn. Resp.	Replacement for
		173254	5x A	6310_AM	-

FURTHER TECHNICAL DATA SEE PRODUCT SPECIFICATION  
WEITERE TECHNISCHE DATEN SIEHE PRODUKT SPEZIFIKATION  
AUTRES DONNEES TECHNIQUES VOIR PRODUCT SPECIFICATION  
ULTERIORI DATI TECNICI VEDERE SPECIFICA DI PRODOTTO

PRO 032 014 0

INSTRUCTIONS OF INSTALLATION SEE ADAPTATION SPECIFICATION  
EINBAUINWEISE SIEHE ADAPTION-SPEZIFIKATION  
INSTRUCTIONS D'INSTALLATION VOIR SPECIFICATION D'ADAPTION  
ISIRUZIONI D'INSTALLAZIONE VEDERE SPECIFICA D'ADATTAMENTO

341 032 000 0

Non e permesso copiare, o terzi o riprodurre questo documento, ne utilizzare il contenuto o renderlo comunque noto a terzi senza autorizzazione esplicita. Ogni infrazione costituisce un evidente abuso e comportera il risarcimento dei danni subiti. E' fatta riserva di tutti i diritti derivanti da brevetti o modelli.  
 Coping of this document and giving it to others and the use or communication of the contents thereof, are forbidden without express authority. Contravention of this restriction will constitute an evident abuse and result in a liability to the payment of damages. All rights are reserved in the event of the grant of patent or registration of a utility model or design. This document is the subject of copyright.  
 Toute communication ou reproduction de ce document, toute exploitation ou communication de son contenu sont interdites, sauf autorisation expresse. Tout manquement a cette regle constitue un abus evident et expose son auteur au versement de dommages et interets. Tous droits de proprieete industrielle reserves, notamment en matiere de brevets et de modeles.  
 Weitergabe sowie Vervielfaeltigung dieser Unterlagen, Verwertung und Mitteilung ihres Inhalts nicht gestattet, soweit nicht ausdruecklich ansonsten, Zweckerlaehlungen stellen eine offensichtlichen Missbrauch dar und verpflichten zu Schadensersatz. Alle Rechte fuer den Fall der Patentierung oder Gebrauchsmuster-Eintragung vorbehalten.