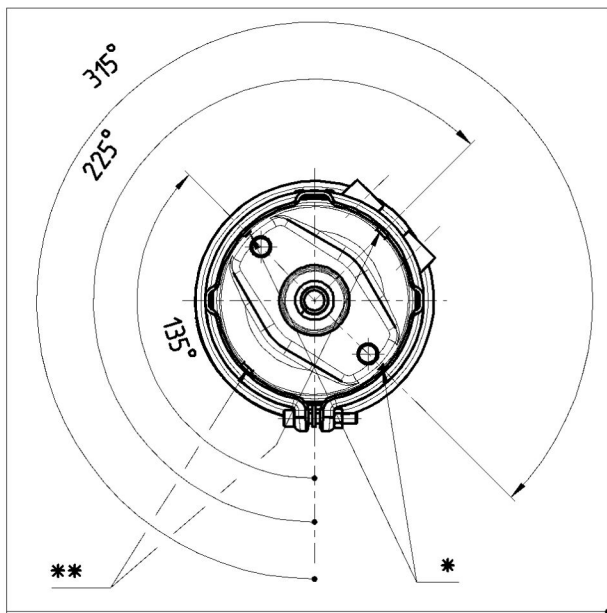


100 mm

- \*\* Plug
- \*\* Pfropfen
- \*\* Bouchon
- \*\* Tappo

- \* Breather hole
  - \* Atmungsbohrung
  - \* Trou de respiration
  - \* Foro di respirazione
- }  $\varnothing 6$



BS9404

BS9404 - 1131407			8.0
KB-Ref.number	Execution	Customer's ref. no.	Weight
KB-Bestell-Nr.	Ausfuehrung	Kundenbestell-Nr.	Gewicht
KB-No de réf.	Exécution	No. de réf. du client	Masse
Codice KB per ordince	Montato	No di rif del cliente	Massa (kg)

006	-----	07.10.08	A019add1
005	-----	02.10.08	A019add
004	Nouvel. original	29.08.08	A019
Rev.	Revision Reference	Date	Name

Type 20/24

Numbers of described parts: -x- or See Table 1	ISO 128-30 	Special Characteristics: 0 S/C 0 C/C	Surface Treatment: -x-	Length Unit: mm	Scale: 1:1
CAD Model No.: C63961	General Tolerances	Tolerancing Principle	Made from: -x-	Weight: 1956536.378	kg
<b>KNORR-BREMSE</b>	Responsible Dept./Team: LDA1	CAD Sys.: PRO/ENGINEER Format A3	Spring Brake (Disc)		
Systèmes pour Véhicules Utilitaires France S.A.	Drawn: 2008/08/29 Sgeorges	Release Process Documentation in EDM. Level and Status Information in Watermark.	Kombizylinder (Scheibe)		
<b>Knorr-Bremse Group</b>			Cyl. frein double (disque)		
			Bielemento fren. (disco)		
			Drawing Number: C63961	Draw-Rev: 006	
			Doc-Type: ID	Language: 71	Sheet 2 of 2

This document contains proprietary and confidential information and such information may not be disclosed to others for any purpose whatsoever without written consent from the KNORR-BREMSE Organisation