

PART CODE	MATERIAL	SURFACE PROTECTION
I	STEEL	HOT DIP METAL COATING
II	STEEL	PASSIVATED
III	STEEL	PAINTED

**Letzter Wechsel / date of change**

Jahr/Year	13	14	15	16	17	18	19	20	21	22	23	24
Monat/Month	01	02	03	04	05	06	07	08	09	10	11	12

432 901 223 2  
M 39 x 1,5  
max. 14 bar

ERIC

Made in Germany

Return to WABCO

# WABCO

## Air System Protector

1. WATER FILTER  
2. OIL & AEROSOL FILTER

Clean Air

2 Years System Protection\*

**Instructions**

**DE:** 1. Achtung: Vor Ausbau Lufttrockner entlüften, 2. Dichtung und Gewindestapfen vor Montage einfeilen, 3. Behälter von Hand fest aufschrauben (max. 15 Nm), \*2 Jahre Lebensdauer unter Normalbedingungen.

**EN:** 1. Important: Ventilate air dryer before removing, 2. Grease seal and threaded spigot before installation, 3. Screw the container on firmly by hand (max. 15 Nm), \*2 year service life under normal conditions.

**FR:** 1. Attention: purger le dessiccateur avant le démontage, 2. Graisser le joint et le filetage avant montage, 3. Visser fortement la cartouche à la main (15 Nm maxi.), \*Durée de vie: 2 ans dans les conditions normales d'utilisation.

**ES:** 1. Atención: Purgar el secador antes de realizar el desmontaje, 2. Engrasar junta y vástago roscado antes de proceder a su instalación, 3. Roscar firmemente el cartucho a mano (max. 15 Nm), \*2 años de duración bajo condiciones normales de servicio.

**PT:** 1. Importante: Antes da desmontagem eliminar o ar comprimido do secador de ar, 2. Engraxar a superfície de vedação e a rosca de fixação, 3. Parafusar manualmente a nova peça (torque max. 15Nm), \*2 anos de vida útil em condições normais.

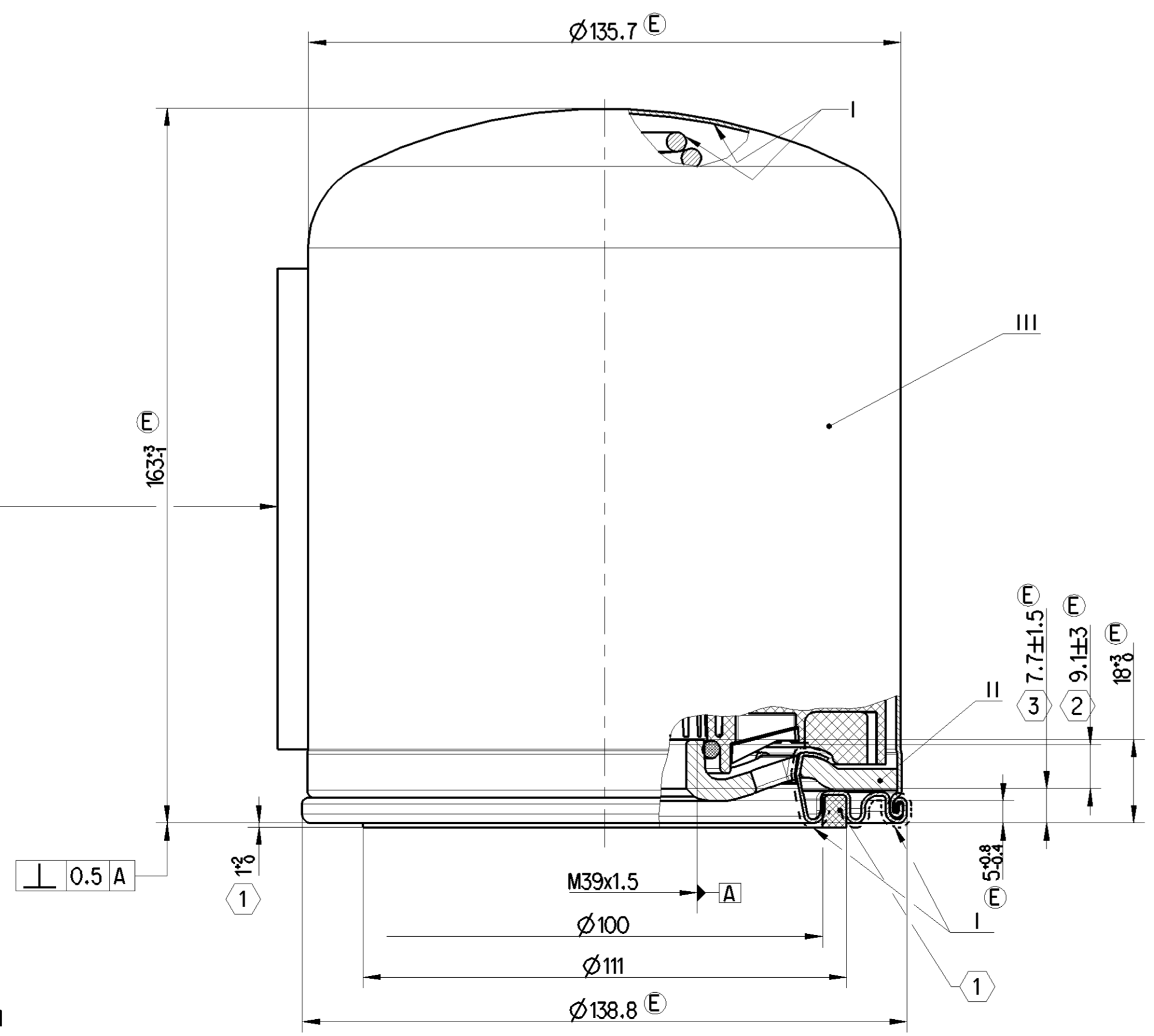
**PVC:** 1. Важно: Перед заменой осушителя проветрите систему, 2. Смажьте резбу и уплотнение перед установкой, 3. Усилим руки (не более 15 Нм) закрутите корпус картриджа осушителя воздуха, \*Замена 1 раз в 2 года при обычных условиях эксплуатации.

DATE OF MANUFACTURE  
HERSTELLDATUM  
DATE DE FABRICATION  
DATA DI FABBRICAZIONE

YEAR  
JAGER  
ANNEE  
ANNO

MONTH  
MONAT  
NOIS  
MESE

400 x 105mm  
LABELLING  
BESCHRIFTUNG  
ETIQUETAGE  
ETICHETTATURA



- DIMENSION APPLY IF THE SEAL IS IN CONTACT WITH THE GROOVE BOTTOM  
MASSE GELTEN BEI ANLIEGENDER DICHTUNG AM NUTGRUND
- MEASURED FROM TOP TO BOTTOM FULL THREAD TURN BY CONTOUR GRAPH  
GEMESSEN VOM OBEREN BIS UNTEREN VOLLEN GEWINDEGANG MIT KONTURGRAPH
- MEASURED FROM BOTTOM FULL THREAD TURN TO FIRST RING RADIUS BY CONTOUR GRAPH  
GEMESSEN VOM UNTEREN VOLLEN GEWINDEGANG BIS ERSTEN RINGRADIUS MIT KONTURGRAPH

**USAGE:**  
This Outline Drawing was created by copying selected items from the Sectional Drawing  
2013-07-15

Thermal Range of Application:  
THERMISCHER ANWENDUNGSBEREICH: -40°C ... +80°C  
GAMME D'APPLICATION THERMIQUE:  
CAMPO DI APPLICAZIONE TERMICA:

WORKING PRESSURE:  
BETRIEBSDRUCK: P<sub>e</sub> max. = 14 bar  
PRESSION DE SERVICE:  
PRESSIONE D'ESERCIZIO:

SEALING RING (OUTSIDE):  
DICHTRING (AUSSEN): NBR 70±5 SHORE A  
JOINT D'ETANCHEITE (EXTERIEUR):  
ANELLO DI TENUTA (ESTERNO):

O-RING:  
O-RING : NBR 65±5 SHORE A  
JOINT TORQUE  
O-RING:

PERMISSIBLE LEAKAGE: MAX. 6 cm<sup>3</sup>/min AT 10 bar TEST PRESSURE  
ZULAESSIGE LECKAGE: MAX. 6 cm<sup>3</sup>/min BEI 10 bar PRUEFDRUCK  
FUIITE AMISE: MAX. 6 cm<sup>3</sup>/MIN A 10 bar PRESSION D'ESSAI  
FUGA AMNESSA: MAX. 6 cm<sup>3</sup>/MIN AL 10 bar PRESSIONE DI PROVA

TEXT: BLUE  
TEXT: PANTONE 293 BLAU  
TEXTE: BLEU  
TESTO: BLU

BACKGROUND COLOR:  
UNTERGRUND: RAL 9006 WHITEALUMINIUM PAINTED  
COULEUR DU FOND: BLANCALUMINIUM LACQIERT  
COLORE DEL FONDO: BIANCALUMINIUM COLORARE

General Specification: JED-334-1 - Size ISO 14405 LP		Copyright WABCO®	
Further Technical Data: Product Specification		Date: 2020-04-28	Signature: Cwickalski
Doc. Code: 035	Sheet: 1 To 3	Brand: Cwickalski	
General Tolerances JED-261		Pack: Kosirzewo	
Range of Nominal Dimensions (± mm)		Expert: Kosirzewo	
Class	1) ≤ 50 2) 50 > 180 3) 180 > 400 4) 400 > 6.5	Mass: 2.3 kg	Scale: 1:1
Fine	0.5, 1.0, 1.5, 2.0	Material No.: 432 901 223 2	
Medium	1.0, 2.0, 3.0, 4.0	Date of first issue: 2016-06-06	
Coarse	2.0, 3.5, 5.0, 6.5	Doc. Code: 005 ML 1/1	
Tapped Holes acc.		Revision: 8 x E	
1) Tolerance Class Applied Crossmarked		Tech. Resp.: 5093	

Non è permesso copiare o riprodurre questo documento, né utilizzare il contenuto o i dati contenuti in questo documento, senza permesso scritto dalla WABCO. Tutti i diritti sono riservati. Toute réimpression ou utilisation non autorisée sans la permission écrite de la WABCO est formellement interdite. Toute utilisation non autorisée sera considérée comme une violation des lois. All rights reserved. No part of this document may be reproduced, stored in a retrieval system, or transmitted, in any form or by any means, electronic, mechanical, photocopying, recording, or by any information storage and retrieval system, without the prior written permission of WABCO. This document is the subject of copyright.