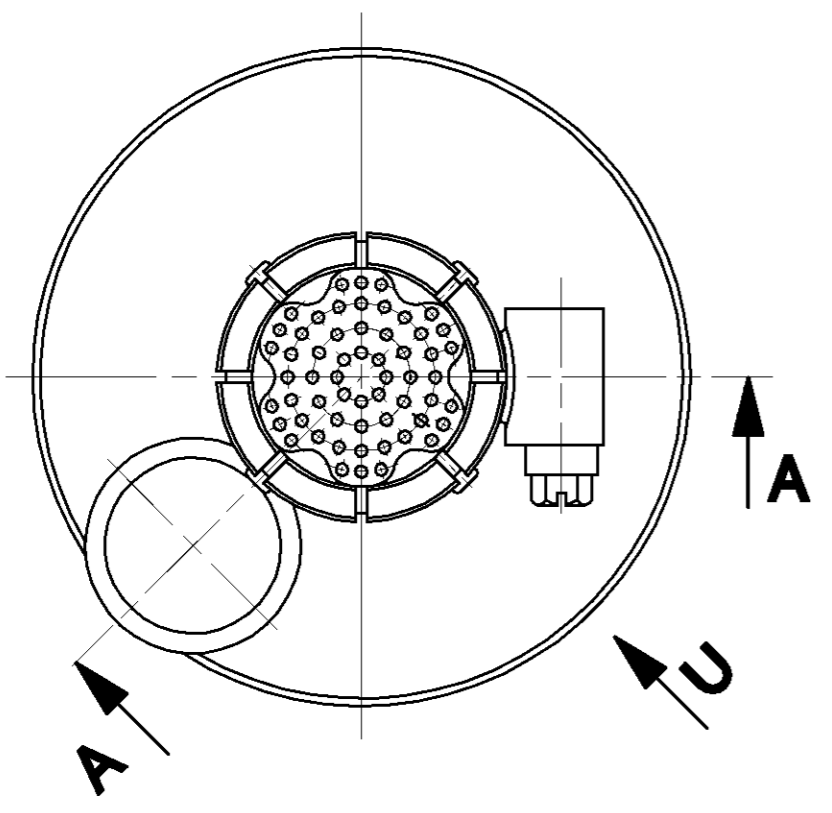
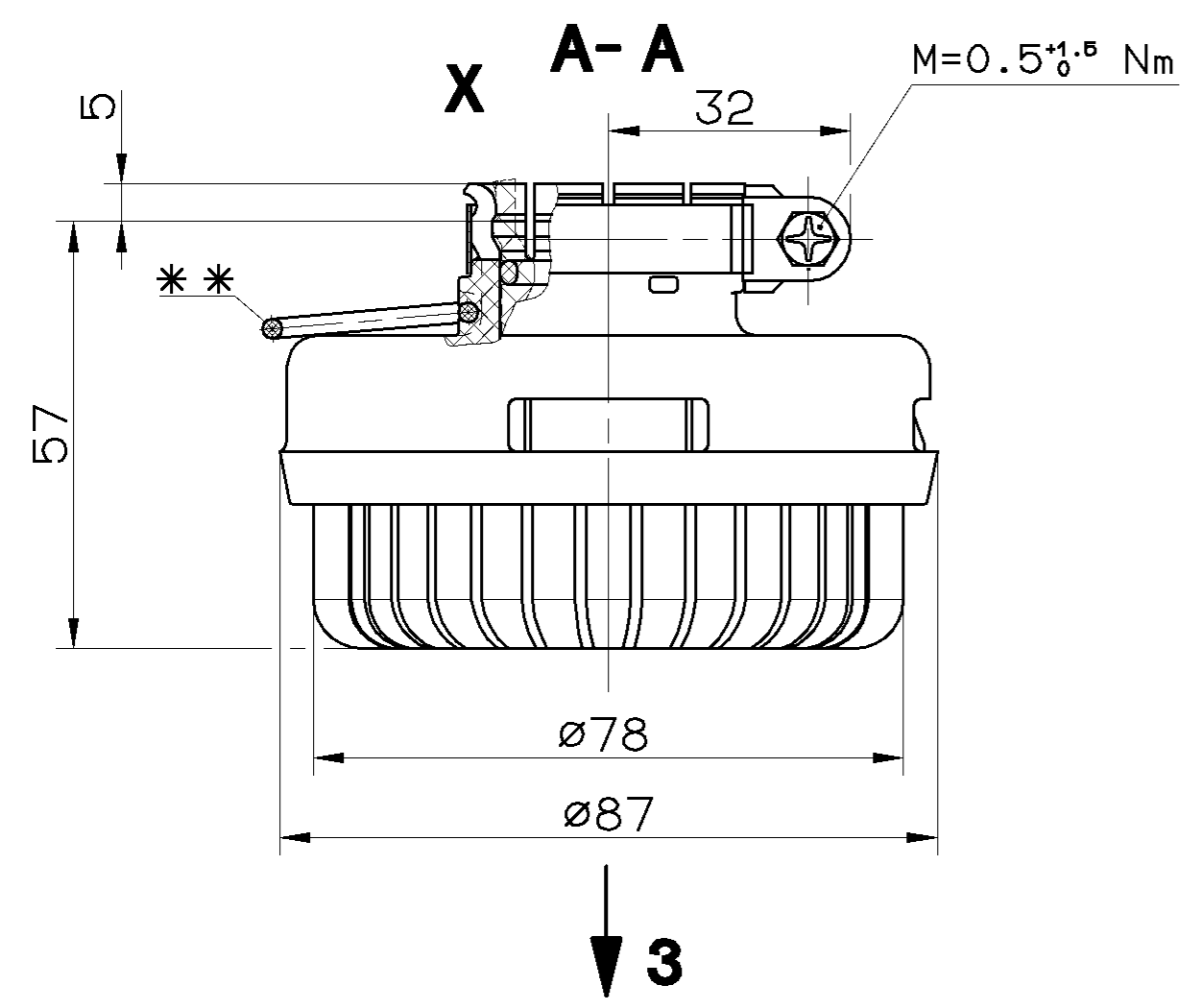
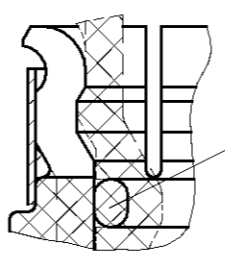


NON È PERMESSO CONSERVARE A TERZI O RIPRODURRE QUESTO DOCUMENTO. ANCHE IL COSTO DI RIPRODUZIONE È A CARICO DELL'USUARIO. È FATTA RISERVA SU TUTTI I DIRITTI RISERVATI DA BREVETTI O MODELLI. COPIING OF THIS DOCUMENT AND GIVING IT TO OTHERS AND THE USE OF COMMUNICATION OF THE CONTENTS THEREOF, WITHOUT THE WRITTEN PERMISSION OF THE MANUFACTURER, IS PROHIBITED. ALL RIGHTS ARE RESERVED IN THE EVENT OF THE ABUSE AND RESULT IN A LIABILITY TO THE PAYMENT OF DAMAGES. ALL RIGHTS ARE RESERVED IN THE EVENT OF THE GRANT OF PATENT OR REGISTRATION OF A UTILITY MODEL OR DESIGN. THIS DOCUMENT IS THE SUBJECT OF COPYRIGHT.

TOUTE COMMUNICATION OU REPRODUCTION DE CE DOCUMENT, TOUTE EXPLOITATION OU COMMUNICATION DE SON CONTENU, SANS LE CONSENTEMENT ÉCRIT DU FABRICANT, EST INTERDITE. TOUS DROITS DE PROPRIÉTÉ INDUSTRIELLE RÉSERVÉS. NOTAMMENT EN MATIÈRE DE BREVETS ET DE MODÈLES. WEITERGABE SOWIE VERVIELFÄLTIGUNG DIESER LITERATUR, VERSTÄNDLICH UND MITTEILUNG DES INHALTS NICHT OHNE SCHRIFTLICHE ZULASSUNG DES HERSTELLERS. ALLE RECHTE SIND VORBEHALTEN. MISSBRÄUCH DAR LÄND VERPFLICHTEN ZU SCHADENSERZATZ. ALLE RECHTE SIND VORBEHALTEN. GEBRAUCHSREGISTER-EINTRAGUNG VORBEHALTEN.



X 2:1



ASSEMBLY : ENGAGE IN CONTOUR
 MONTAGE : EINRASTEN IN KONTUR
 MONTAGE : ENCLIQUETER DANS LE CONTOUR
 MONTAGGIO : INGAGGIARE IN IL CONTORNO

O - RING : SUPPLIED
 O - RING : MITGELIEFERT
 JOINT TORIQUE : ** LIVRAISON
 O - RING : CONSEGNA

THERMAL RANGE OF APPLICATION :
 THERM. ANWENDUNGSBEREICH : -40° C...+80° C
 GAMME D'APPLICATION THERMIQUE :
 CAMPO DI APPLICAZIONE TERMICA :

INSTALLATION POSITION : SEE PRODUCT SPECIFICATION
 EINBAULAGE : SIEHE PRODUKTSPEZIFIKATION
 POSITION D'INSTALLATION : VOIR SPECIFICATION DU PRODUIT
 POSIZIONE DI MONTAGGIO : VEDERE SPECIFICA DI PRODOTTO

MAX. WORKING PRESSURE OF DEVICE TO BE EXHAUSTED
 MAX. BETRIEBSDRUCK DES ZU ENTLUEFTENDEN GERAETES pe=18.5bar
 PRESSION D UTILISATION MAX. DE L APPAREIL A ECHAPPER
 PRESSIONE MAX. DI LAVORO DEL COMPONENTE DA SCARICARE

NOISE EMISSION :
 GERAUESCHEMISSION : ≤70 dB(A), (7.0 m*)bet 13 bar
 EMISSION DU BRUIT :

*) CONDITIONS OF APPLICATION: SEE PRODUCT SPECIFICATION
 EINSATZBEDINGUNGEN: SIEHE PRODUKTSPEZIFIKATION
 CONDITIONS D'APPLICATION VOIR SPECIFICATION DU PRODUIT
 CONDIZIONI DI APPLICAZIONE VEDERE SPECIFICA DI PRODOTTO

3 EXHAUST
 ENTLUEFTUNG
 ECHAPPEMENT
 SCARICO

MEDIUM: AIR
 MEDIUM: LUFT
 FLUIDE: AIR
 FLUIDO: ARIA

GENERAL SPECIFICATION: JED-334		CADAM-DRAWING COPYRIGHT		WABCO	
FURTHER TECHNICAL DATA:		DATE: SIGNATURE:		DRAWN: MEINKING	
DOC. CODE: SHEET: TO		97-01-15		CHECKED: FABIAN	
GENERAL TOLERANCES		STANDARDIZATION:		PRODUCT IDENTIFICATION NO.	
RANGE OF NOMINAL DIMENSIONS (± mm)		MASS		SCALE	
CLASS 1)	≤50 >50 ≤180 >180 ≤400 >400	KG	1:1 (2:1)	432 407 012 0	
FINE	0,5 1,0 1,5 2,0	SIZE	T.R.I.	DOC. CODE	SHEET
MEDIUM X	1,0 2,0 3,0 4,0	A 2	140	605	1/1
COARSE	2,0 3,5 5,0 6,5	TAPPED HOLES ACC. ISO 4039 / JED-182		REPLACEMENT FOR	
1) TOLERANCE CLASS APPLIED CROSSMARKED		059628	1xH	97-01-15	432 407 012 0
		DCN-NO.	REV.	DATE	OF 92-02-17 (H)
		EXPERT CODE 737		PRODUCT TYPE 00X	

1899/012/204_93 605/603