

Toute Communication ou reproduction de ce document, toute exploitation ou communication de son contenu sont interdites, sauf autorisation expresse. Tout manquement a cette regle constitue un abus evident et expose son auteur au versement de dommages et interets. Tous droits de propriete industrielle reserves, notamment en matiere de brevets et de modeles.

Weitergabe sowie Vervielfaeltigung dieser Unterlage, Verwertung und Mitteilung ihres Inhalts nicht gestattet, soweit nicht ausdruercklich zugestanden. Zuwiderhandlungen stellen einen offensichtlichen Missbrauch dar und verpflichten zu Schadenersatz. Alle Rechte fuer den Fall der Patenterteilung oder Gebrauchsmuster-Eintragung vorbehalten.

Non e permesso consegnare a terzi o riprodurre questo documento, ne utilizzarne il contenuto o renderlo comunque noto a terzi senza autorizzazione esplicita. Ogni infrazione costituira un evidente abuso e comportera il risarcimento dei danni subiti. E' fatta riserva di tutti i diritti derivanti da brevetti o modelli.

Copying of this document and giving it to others and the use or communication of the contents thereof, are forbidden without express authority. Contravention of this restriction will constitute an evident abuse and result in a liability to the payment of damages. All rights are reserved in the event of the grant of patent or registration of a utility model or design. This document is the subject of copyright.

1	2	3	4	5	6	7	8	
A	B	C	D	E	F	G	H	I
M16x1,5	M16x1,5	9	Hex:22	11	~35	30-35 Nm	acc. ISO3583	with O-ring

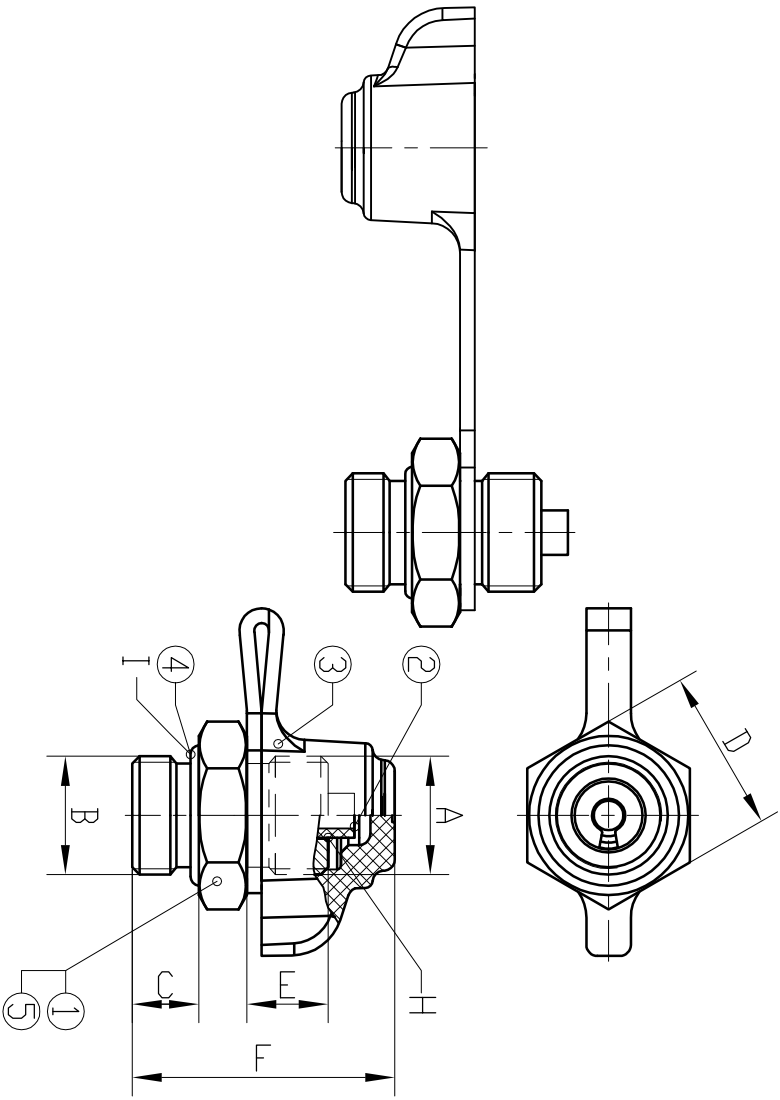
G: recommended torque without lubrication (max. torque) respect max. torque of counter part

Cleanliness requirement:
No particles >1mm allowed according mandatory standard: JED-334 and JED-593

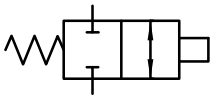
Material :

- ① CuZn
- ② PA6
- ③ TPE
- ④ EPDM
- ⑤ inner components: POM, EPDM, stainless steel

General Specification: JED-762 ; JED-271 ; JED-622 ; JED-220 ; JED-367
Engineering related agreements with Supplier have to be mentioned in the "Release of Supplier"



Working medium:
Max. working pressure: 14,5 bar
Nominal working pressure: 10bar
Nominal diameter: 4mm
Thermal range of application: -40°C ... 93°C
In 120°C without function
Product specification: 463 703 116 0 doc code 035
Part specification: 463 703 116 0 doc code 014
Suitable for use in air brake systems for commercial vehicles



General Specification: JED-334-1, Size ISO 14405 LP						
Further Technical Data						
Doc. Code:	Sheet: To					
General Tolerances JED-261						
Range of Nominal Dimensions (± mm)						
Class 1)	≤ 50	> 50	≤ 180	> 180	≤ 400	> 400
Fine	X	0,5	1,0	1,5	2,0	
Medium		1,0	2,0	3,0	4,0	
Course		2,0	3,5	5,0	6,5	
Tapped Holes acc.						
1) Tolerance Class Applied Crossmarked						

Copyright WABCO®		Date		Signature	
2014-09-15		2014-09-15		Gobla	
2014-10-07		Checked		Kaufmann	
Kaufmann		Expert		Kaufmann	
Mass		Scale		Material No	
0,043 KG		1:1		463 703 120 0	
Size		CAD System		EDN-No.	
A 3		Inventor		165443	
				Revision	
				H	
				Techn. Resp.	
				5791	
				Date of first issue	
				1995-06-01	
				Doc Code	
				005	
				Language	
				EN	
				Sheet	
				1/1	
				Replacement for	

WABCO

Test connection