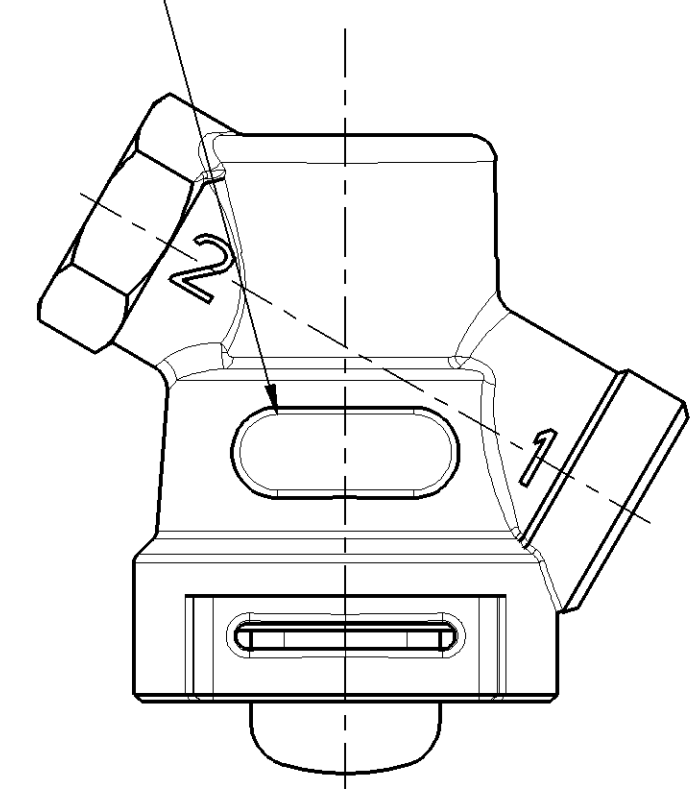
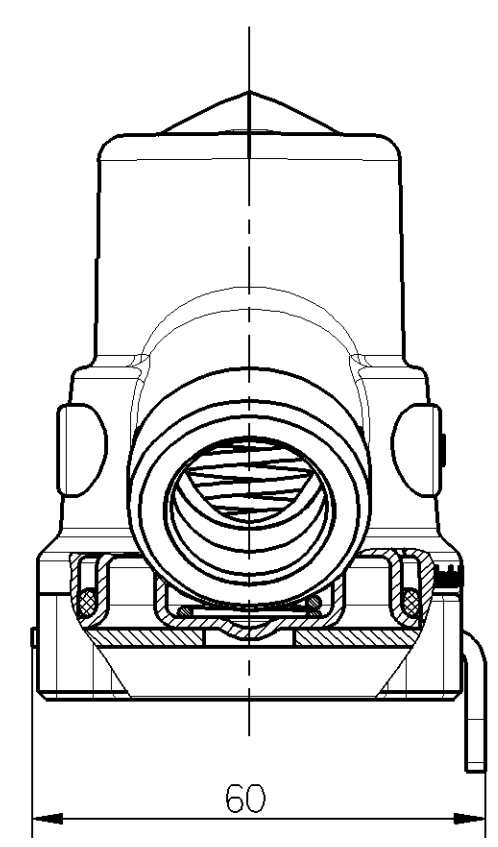


MARKING STAMPED ACCORDING:
 KENNZEICHNUNG GEPRAEGT GEMAESS: JED - 341
 MARQUAGE IMPRIMEE CONFORME A:
 MARCATURA STAMPATA CONFORME ALLA:



SIZE OF FILTER PORES:
 POREWEITE DES FILTERS 80....140 µm
 LARGEUR DES PORES DU FILTRE:
 LARGHEZZA DEI PORI DEL FILTRO:

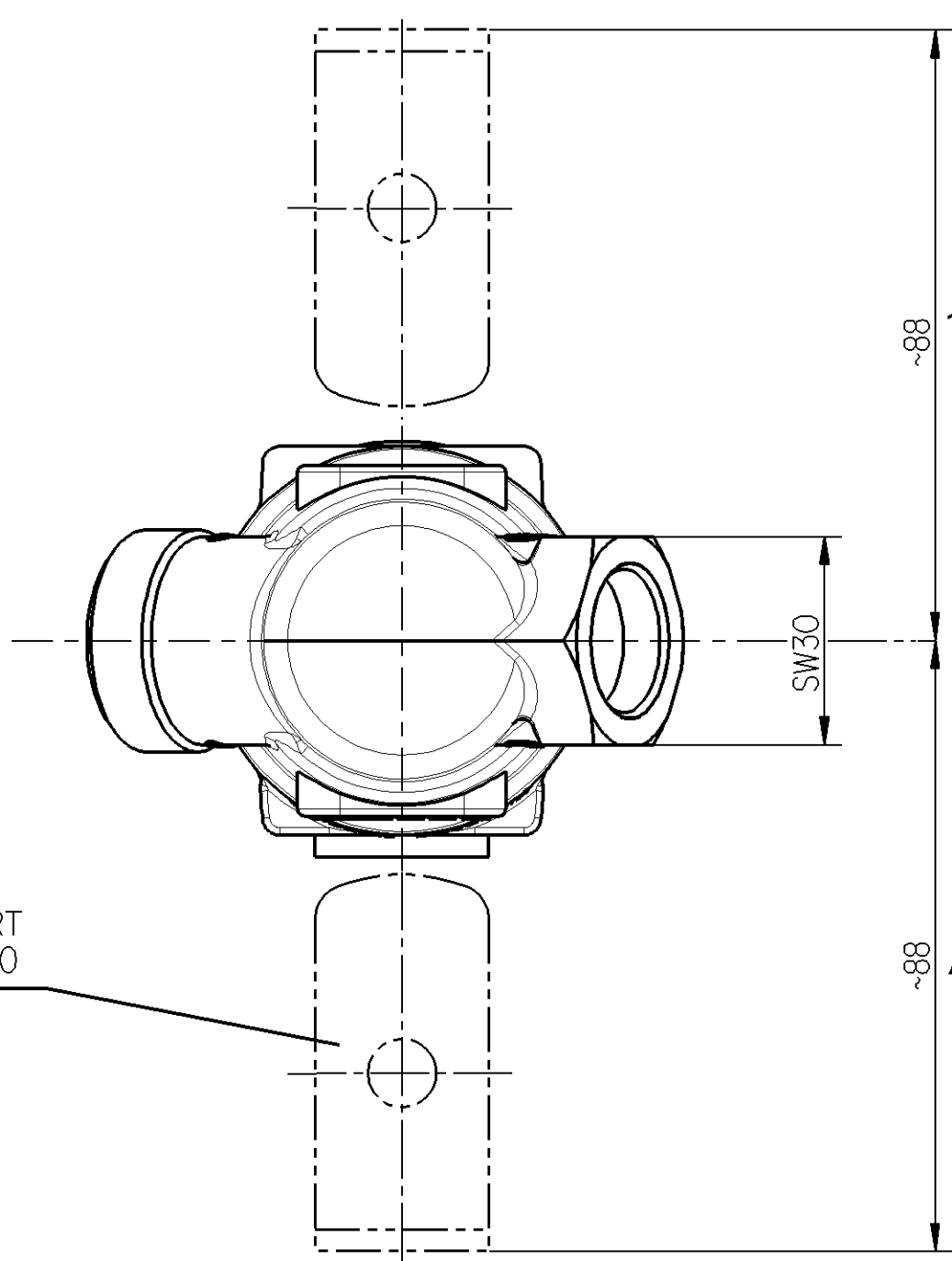
INSTALLATION POSITION:
 EINBAULAGE: ± 45°
 POSITION D'INSTALLATION:
 POSIZIONE DI MONTAGGIO:

DIRECTION OF FLOW:
 DURCHSTROEMRICHTUNG: OPTIONAL BELIEBIG
 SENS DE PASSAGE: A VOLANTE
 SENSO DI FLUSSO: A PIACERE

MAX. WORKING PRESSURE:
 MAX. BETRIEBSDRUCK: Pe = 20 bar
 PRESSION D UTILISATION MAXI:
 PRESSIONE DI ESERCIZIO MAX:

THERMAL RANGE OF APPLICATION:
 THERMISCHER ANWENDUNGSBEREICH: -40°C.....+80°C
 APPLICATION THERMIQUE:
 CAMPO DI APPLICAZIONE:

MEDIUM: AIR
 MEDIUM: LUFT
 FLUIDE: AIR
 FLUIDO: ARIA



REQUIRED SPACE FOR REMOVAL OF FILTER ELEMENT
 PLATZ ZUM HERAUSNEHMEN DES FILTEREINSATZES
 ENCOMBREMENT POUR ENLEVER LA CARTUCHE FILTRANTE
 INGOMBRO PER LEVARE LA CARTOCCIA FILTRANTE

MOUNTING SUPPORT
 HALTEBLECH
 CHASSIS PAR SUPPORT
 TELAIO CON SUPPORTO

General Specification: JED-334-0		Copyright WABCO®		WABCO		
Further Technical Data:		Date	Signature	AIR LINE FILTER		
Doc. Code: Sheet: To		2012-05-21	Mazurkiewicz	LEITUNGSFILTER		
General Tolerances JED-261		Checked		FILTRE D'AIR DE DONDUITE		
Range of Nominal Dimensions (± mm)		Expert		FILTRO D'AIRA		
Class 1)	≤ 50	> 50 ≤ 180	> 180 ≤ 400	> 400	GONTARZ T.	
Fine	0.5	1.0	1.5	2.0	Date of first issue: 2006-07-27	
Medium	X 1.0	2.0	3.0	4.0	Doc.Code Language Sheet	
Coarse	2.0	3.5	5.0	6.5	005 ML 1/1	
Tapped Holes acc.		Mtss	Scale	Material No.		Revision
1) Tolerance Class Applied Crossmarked		0.272	1:1	432 500 020 0		Techn. Resp.
		Size	CAD System	ECN-No.		Revision
		A 2	Pro/E	158245		1 x E
				5740		Replacement for
				100mm		

Non e permesso consegnare o terzi o riprodurre questo documento, ne utilizzare il contenuto o renderlo comunque noto a terzi.
 E' vietata espressamente la ristampa o l'uso non autorizzato senza permesso scritto dalla WABCO.
 E' fatto riserva di tutti i diritti, brevetti, marchi o modelli.
 Copying of this document and giving it to others and the use or communication of the contents thereof, are forbidden without express
 permission of the WABCO. This document is the property of WABCO and its content is confidential. All rights reserved.
 are reserved in the event of the grant of patent or registration of a utility model or design. This document is the subject of copyright.

Toute communication ou reproduction de ce document, toute exploitation ou communication de son contenu sont interdites, sauf autorisation expresse.
 Toute communication ou reproduction de ce document, toute exploitation ou communication de son contenu sont interdites, sauf autorisation expresse.
 E' vietata espressamente la ristampa o l'uso non autorizzato senza permesso scritto dalla WABCO.
 E' fatto riserva di tutti i diritti, brevetti, marchi o modelli.
 Weitergabe sowie Vervielfaelligung dieser Unterlagen, Verwertung und Mitteilung ihres Inhalts nicht gestattet, soweit nicht ausdrücklich zugestanden.
 Zuwiderhandlungen stellen einen strafrechtlichen Missbrauch dar und verpflichten zu Schadensersatz.
 Alle Rechte fuer den Fall der Patentierung oder Gebrauchsmuster-Eintragung vorbehalten.